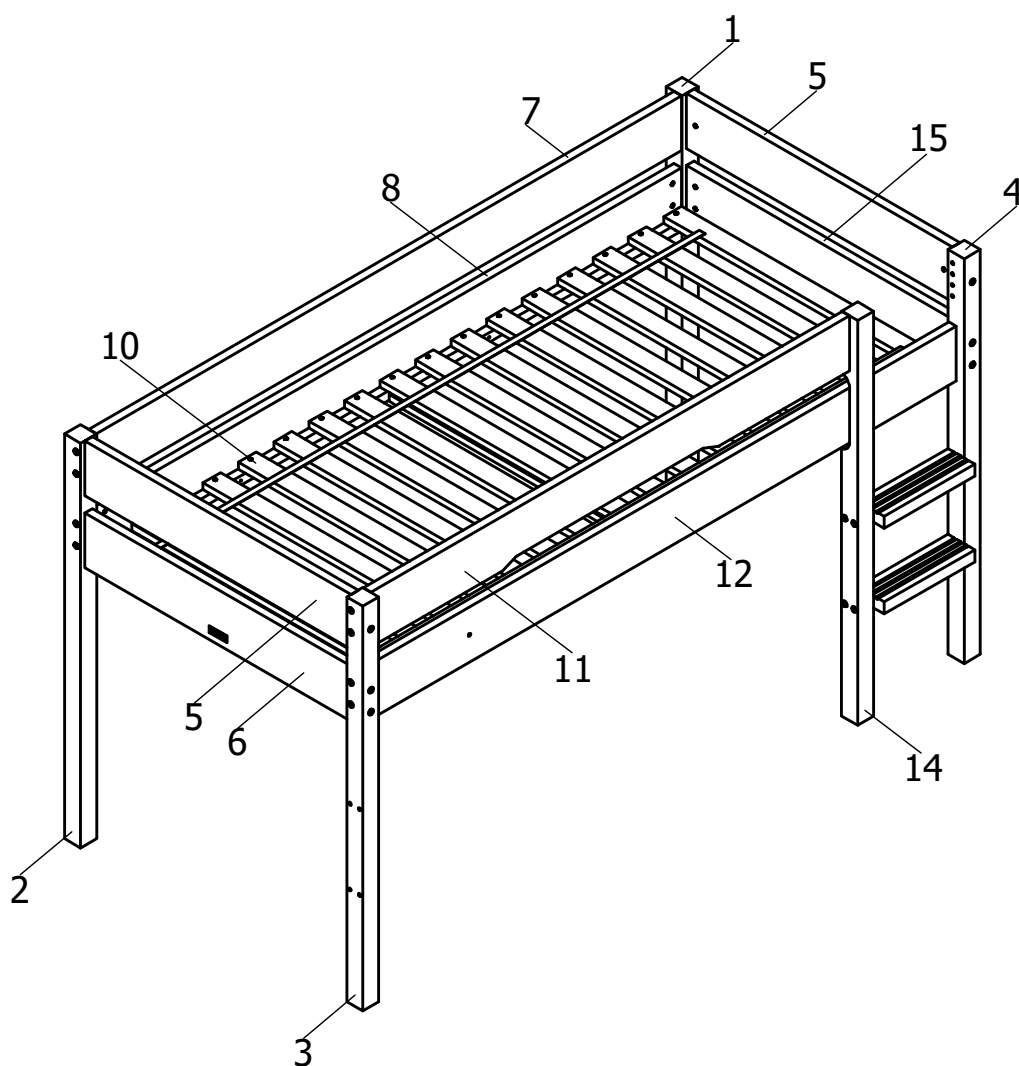


# bopita®

ASSEMBLY INSTRUCTION  
MONTAGE HANDLEIDING  
MONTAGE ANLEITUNG  
NOTICE DE MONTAGE  
MANUAL DE MONTAJE

UK  
NL  
D  
F  
ESP

MODEL : LUCAS  
TYPE : HALF HIGHSLEEPER  
COLOUR : WHITE/NATURAL  
ART.CODE : 127232.03












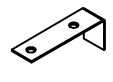
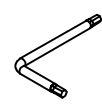
Distributor:

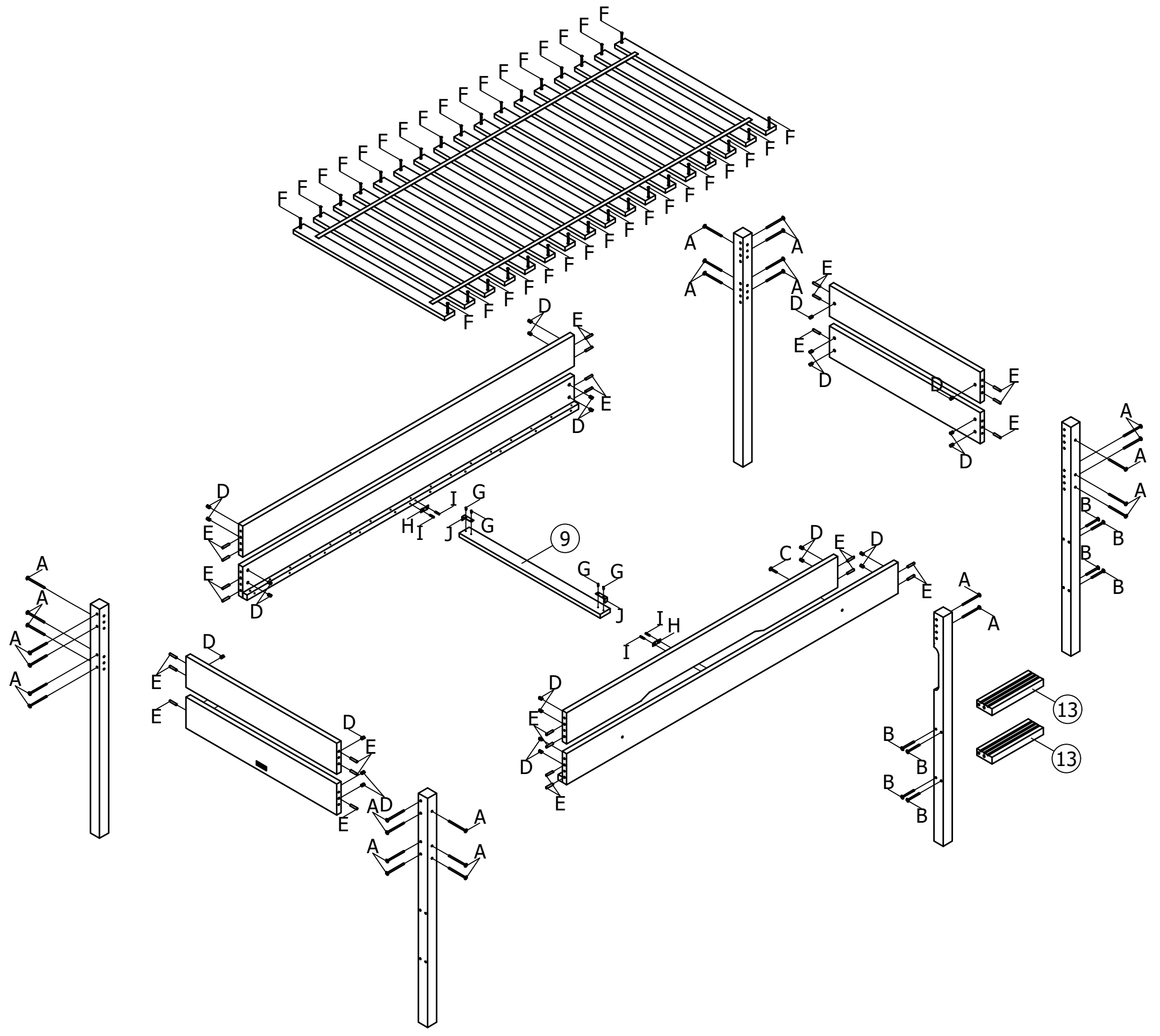
BOPITA  
Energieweg 1  
6662 NS Elst  
The Netherlands

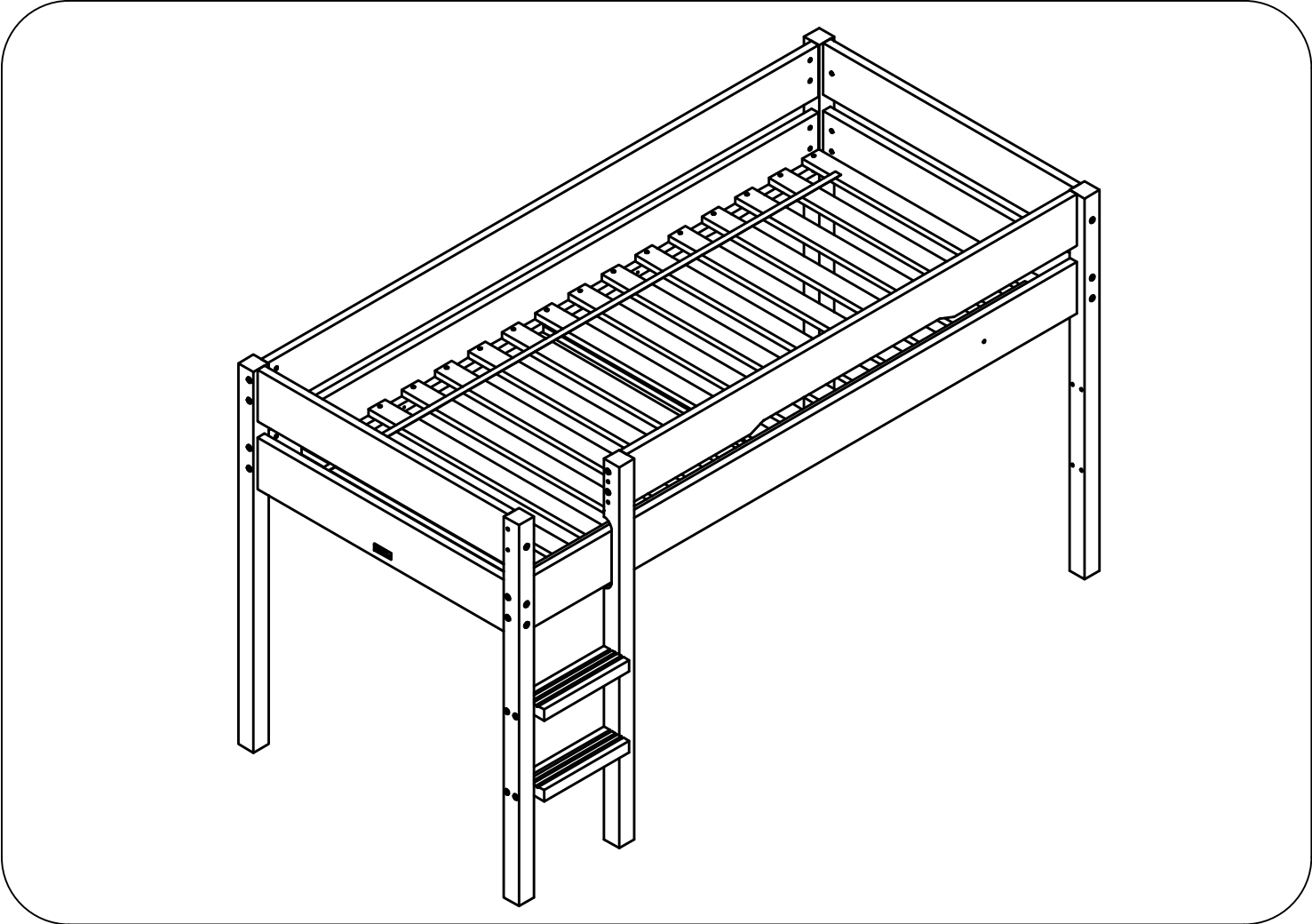
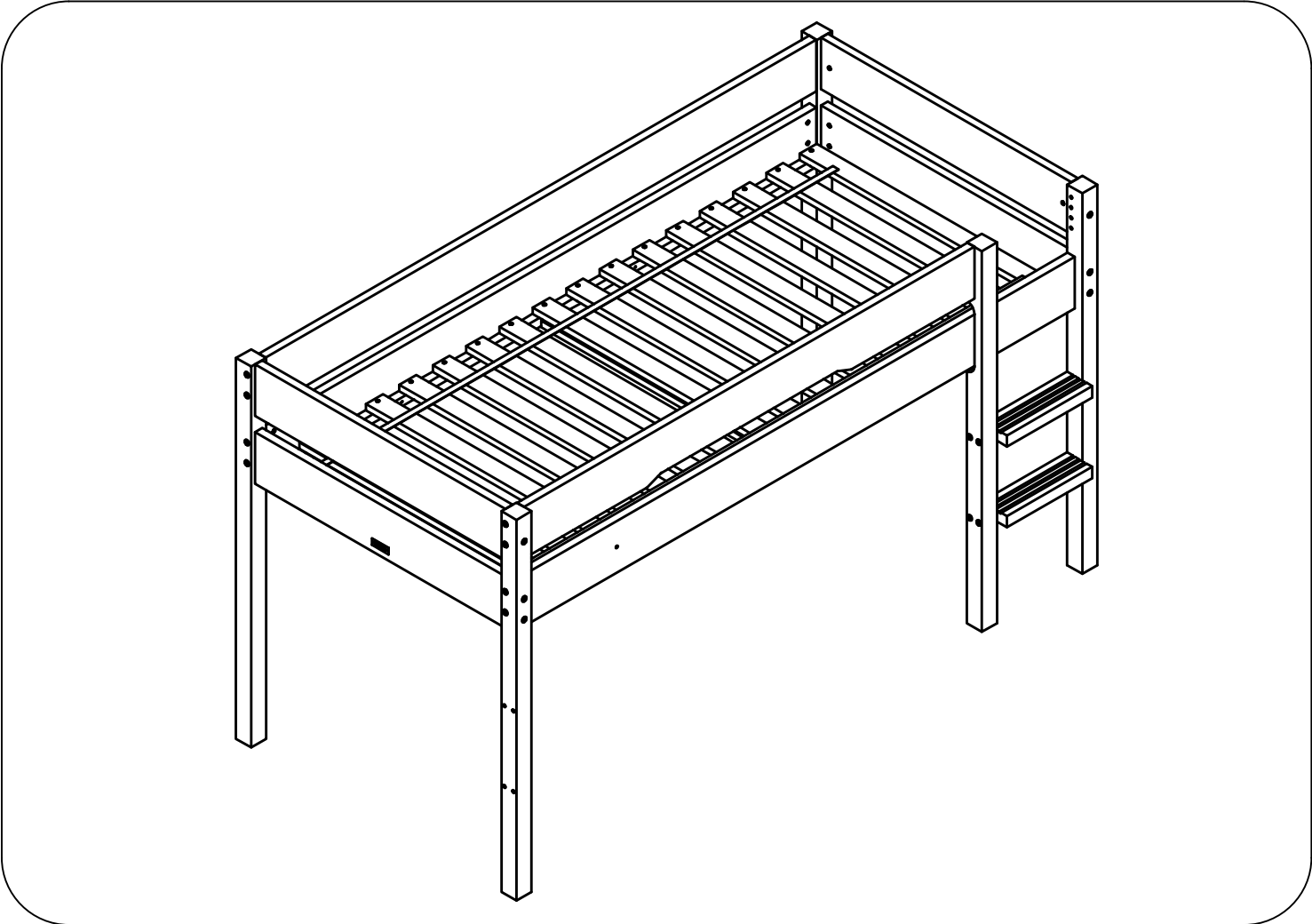
[www.bopita.com](http://www.bopita.com)



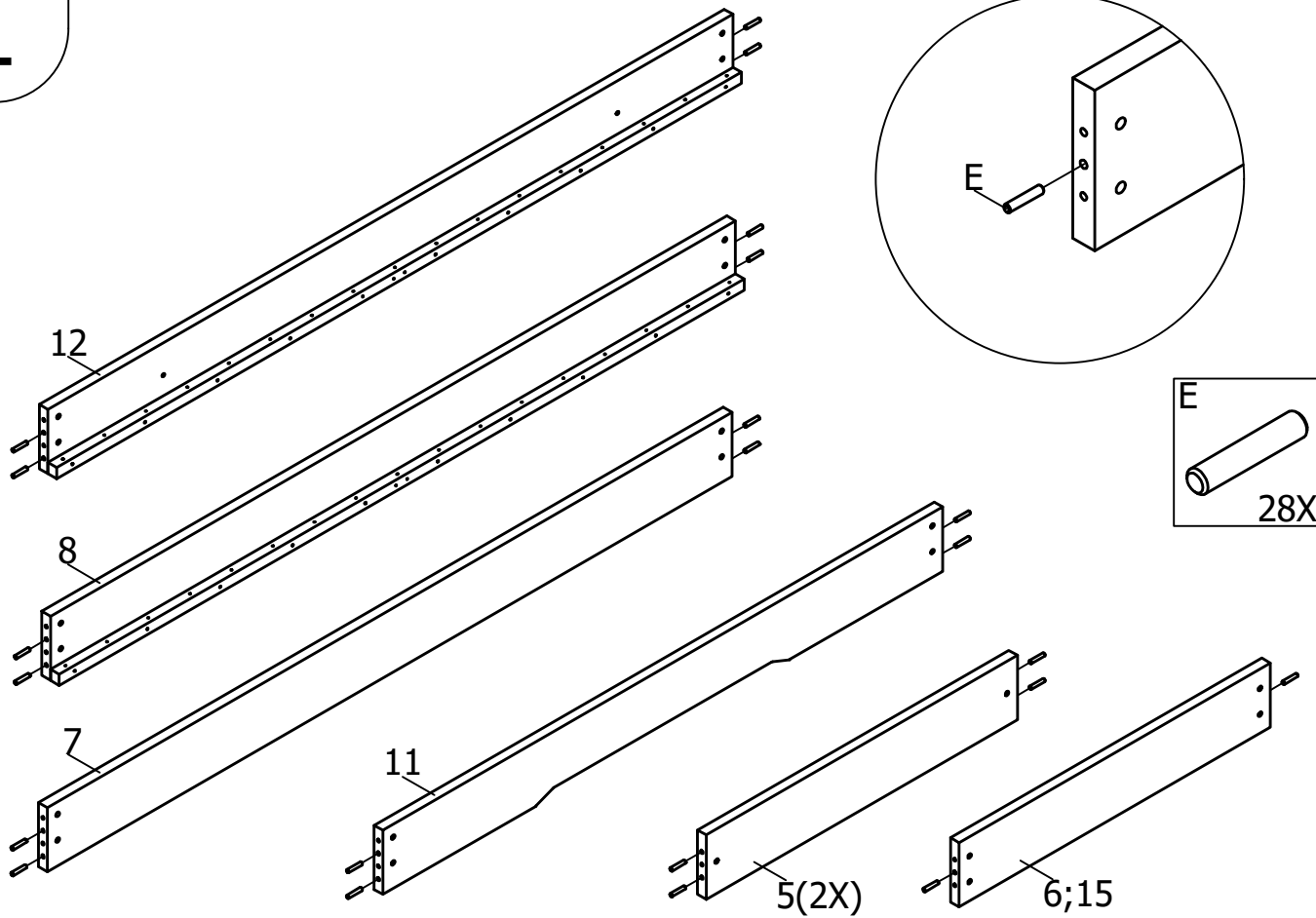
03.03.2023.

A	B	C	D	E	F
					
M6X100 28X	M6X70 8X	M6X35 1X	M6 28X	Ø8X40 28X	5X40 34X
G	H	I	J	K	
					
3,5X16 4X	3,5X25 4X		2X	2X SW4	1X

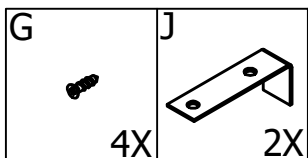
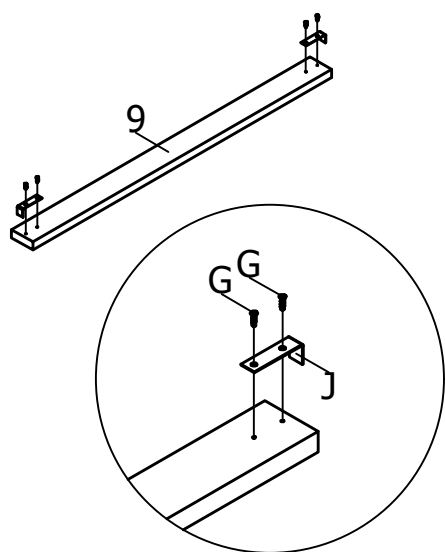




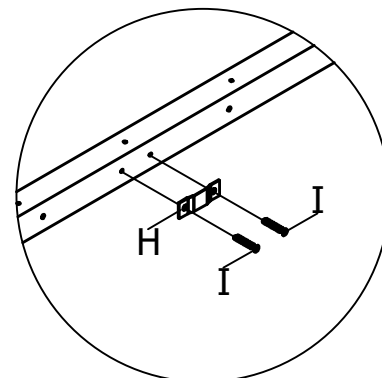
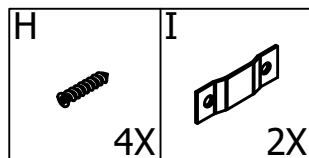
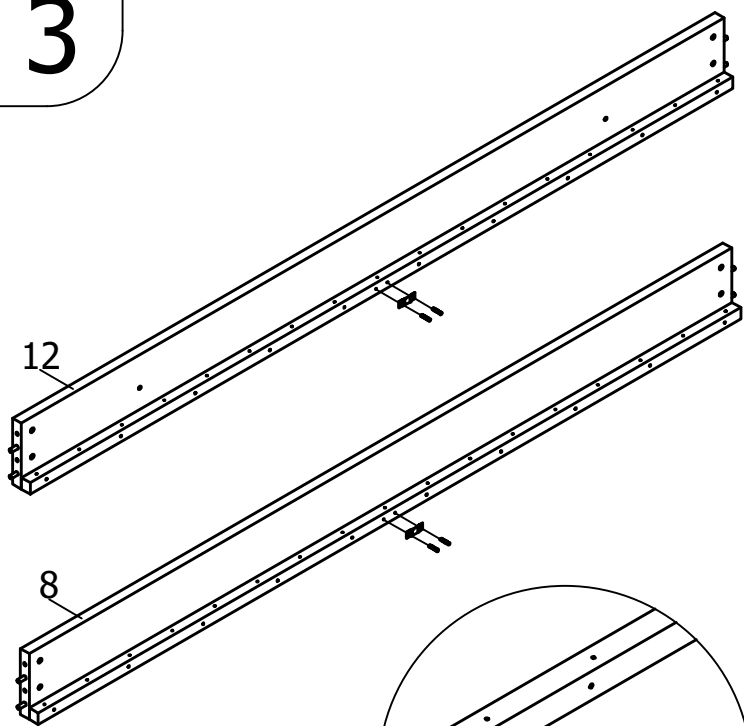
1



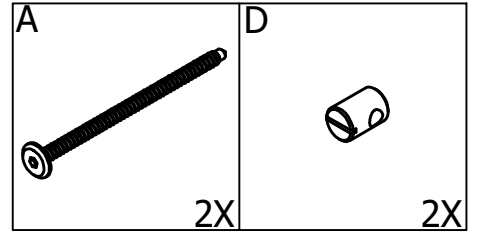
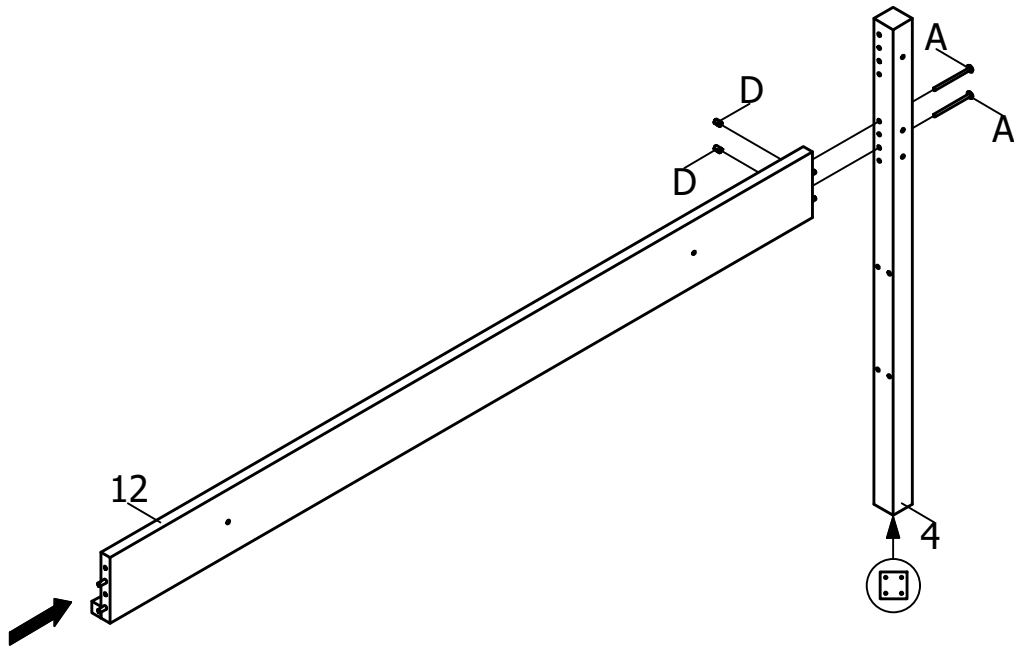
2



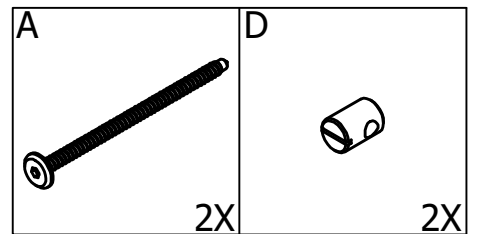
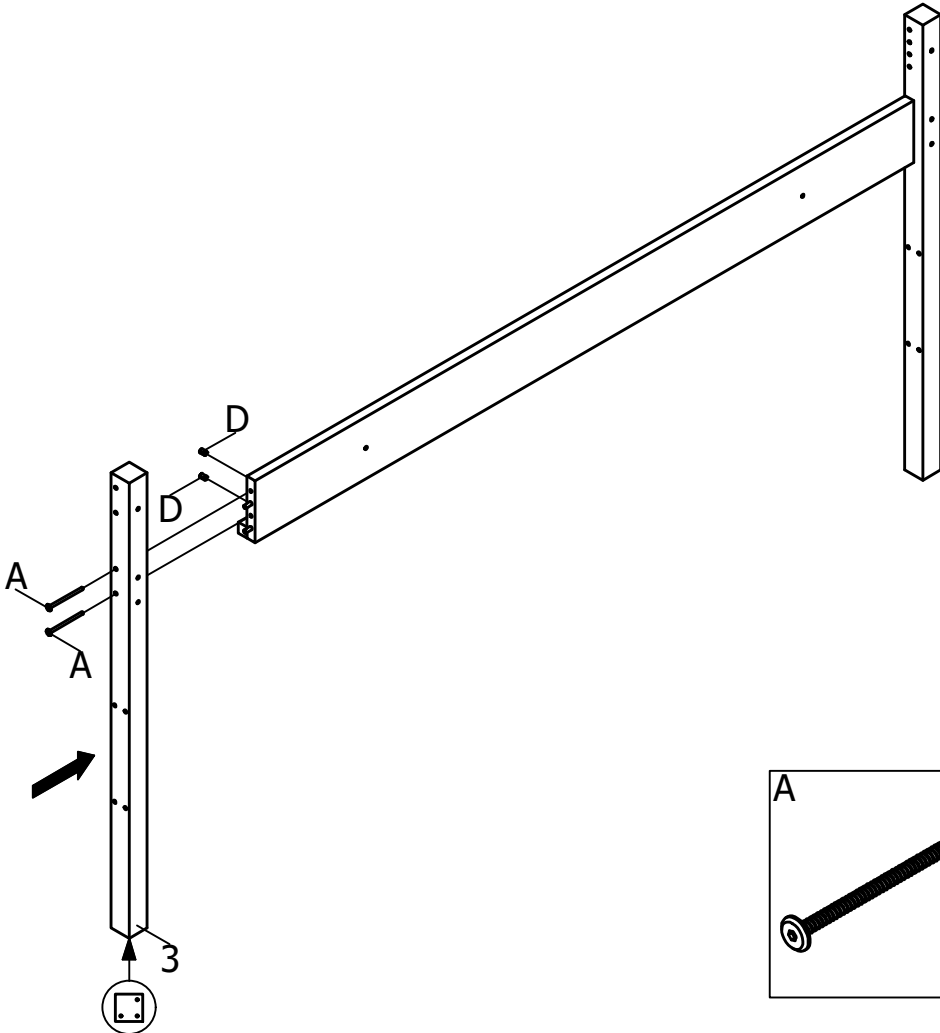
3



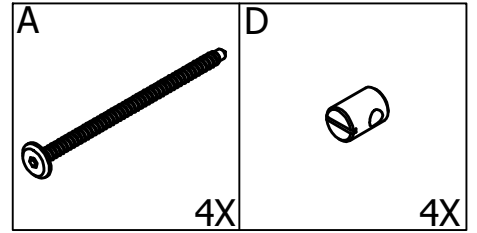
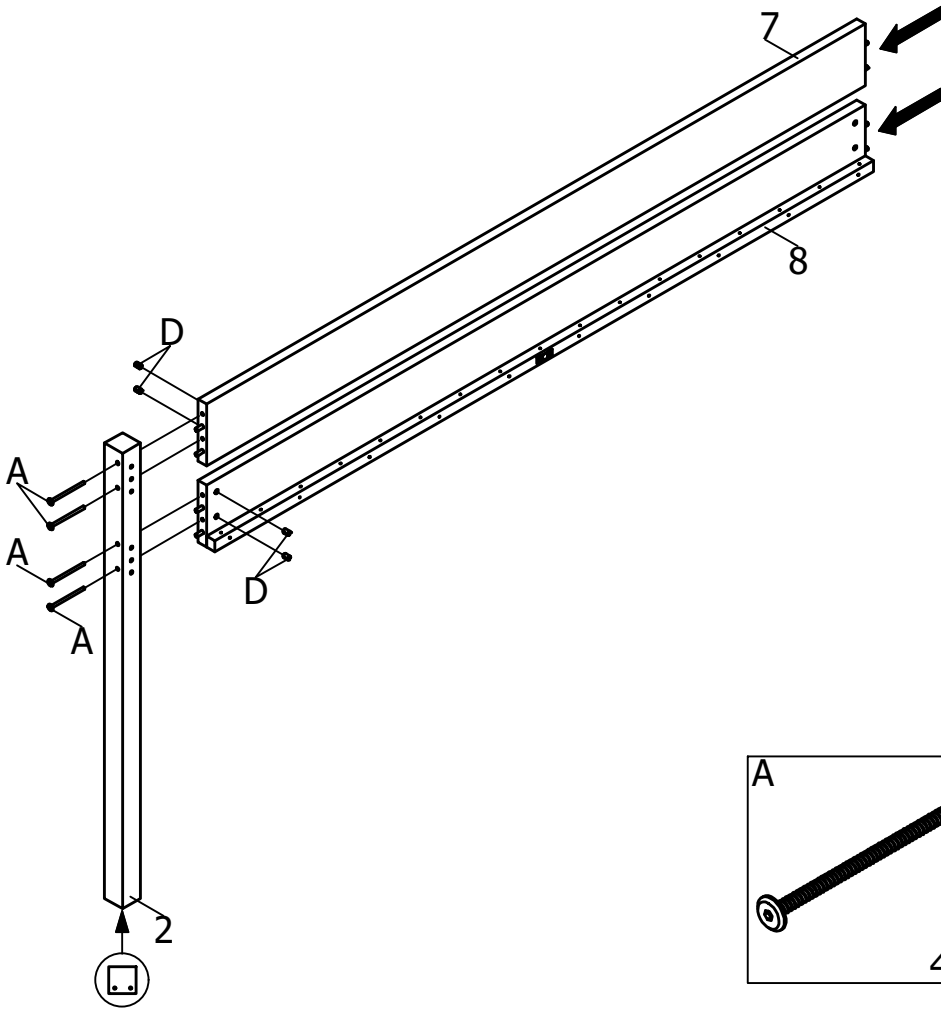
4



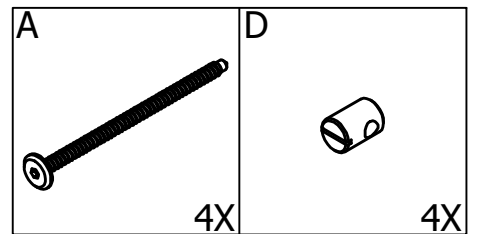
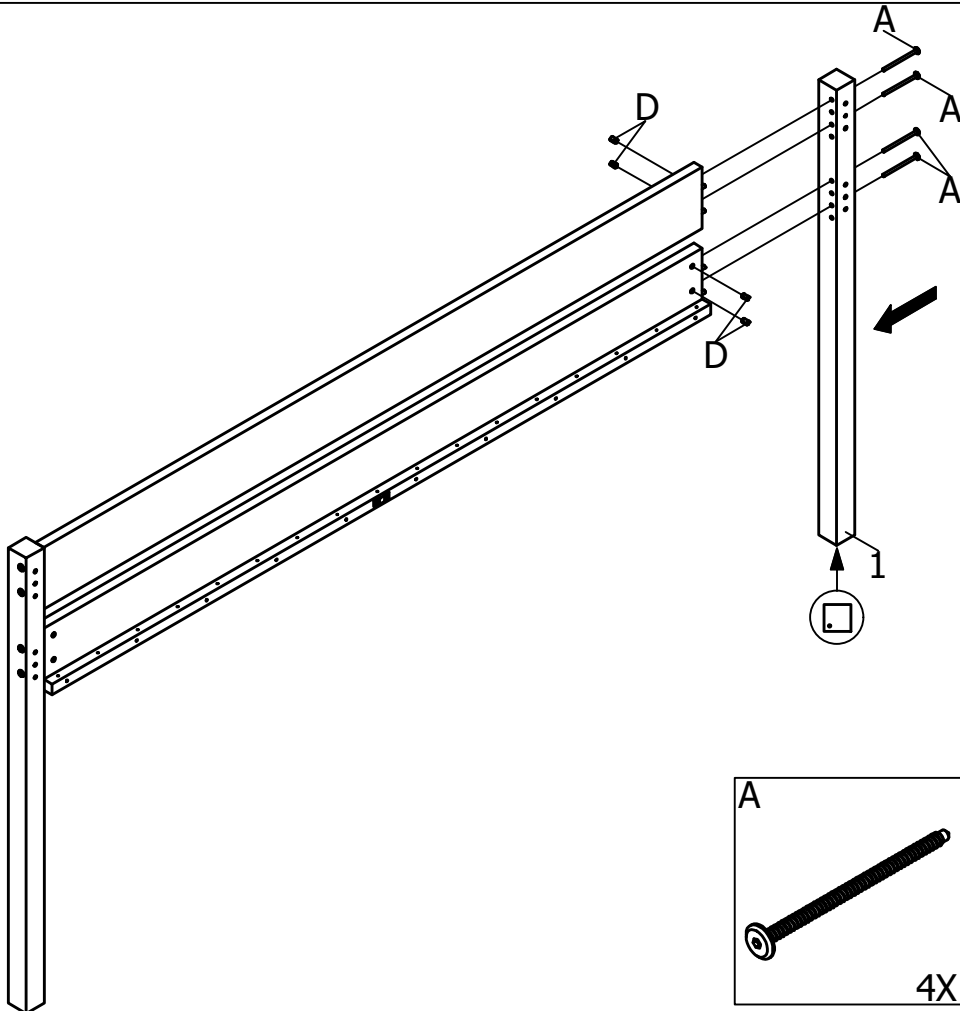
5



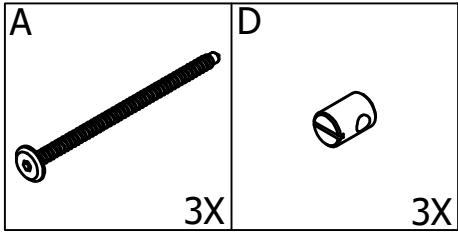
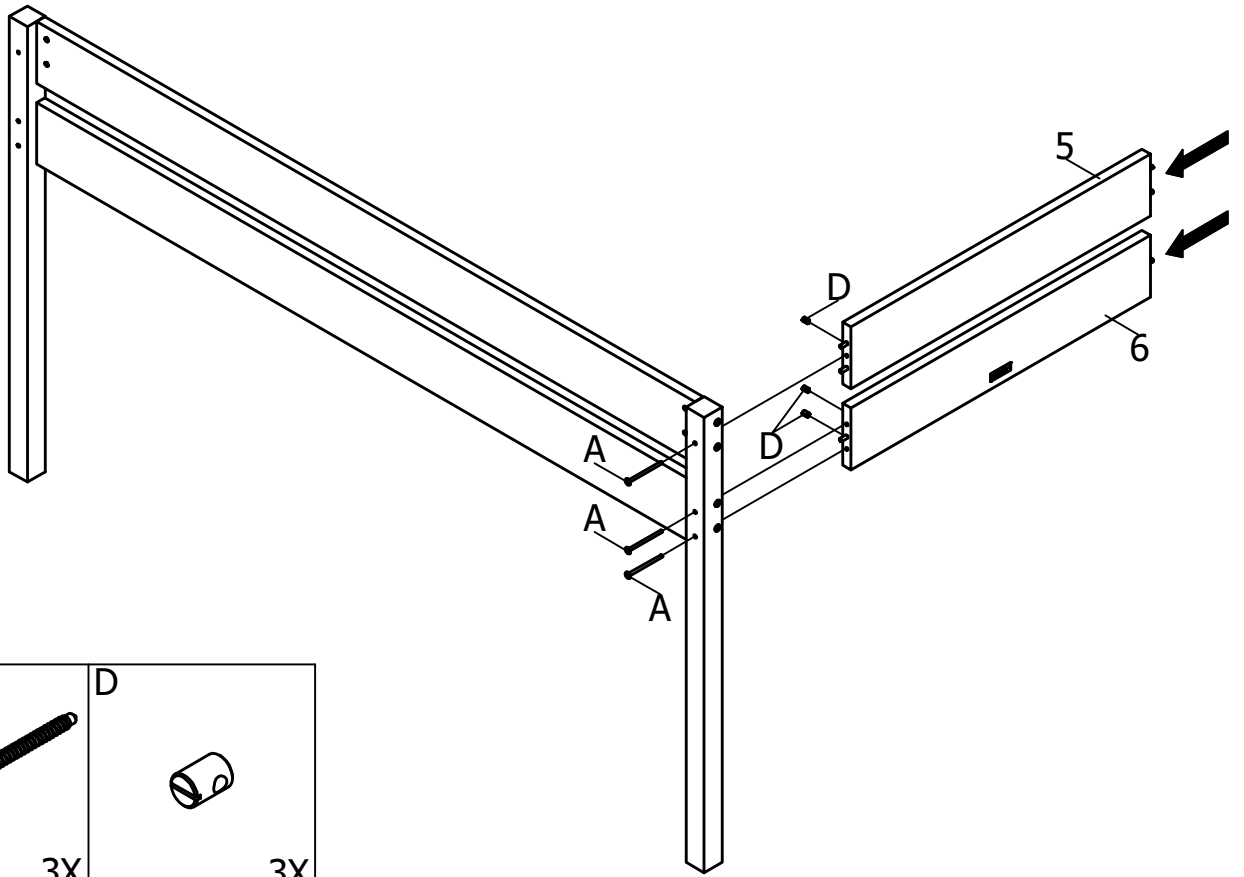
6



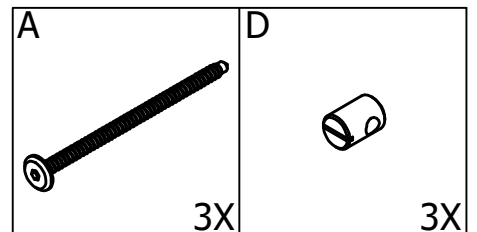
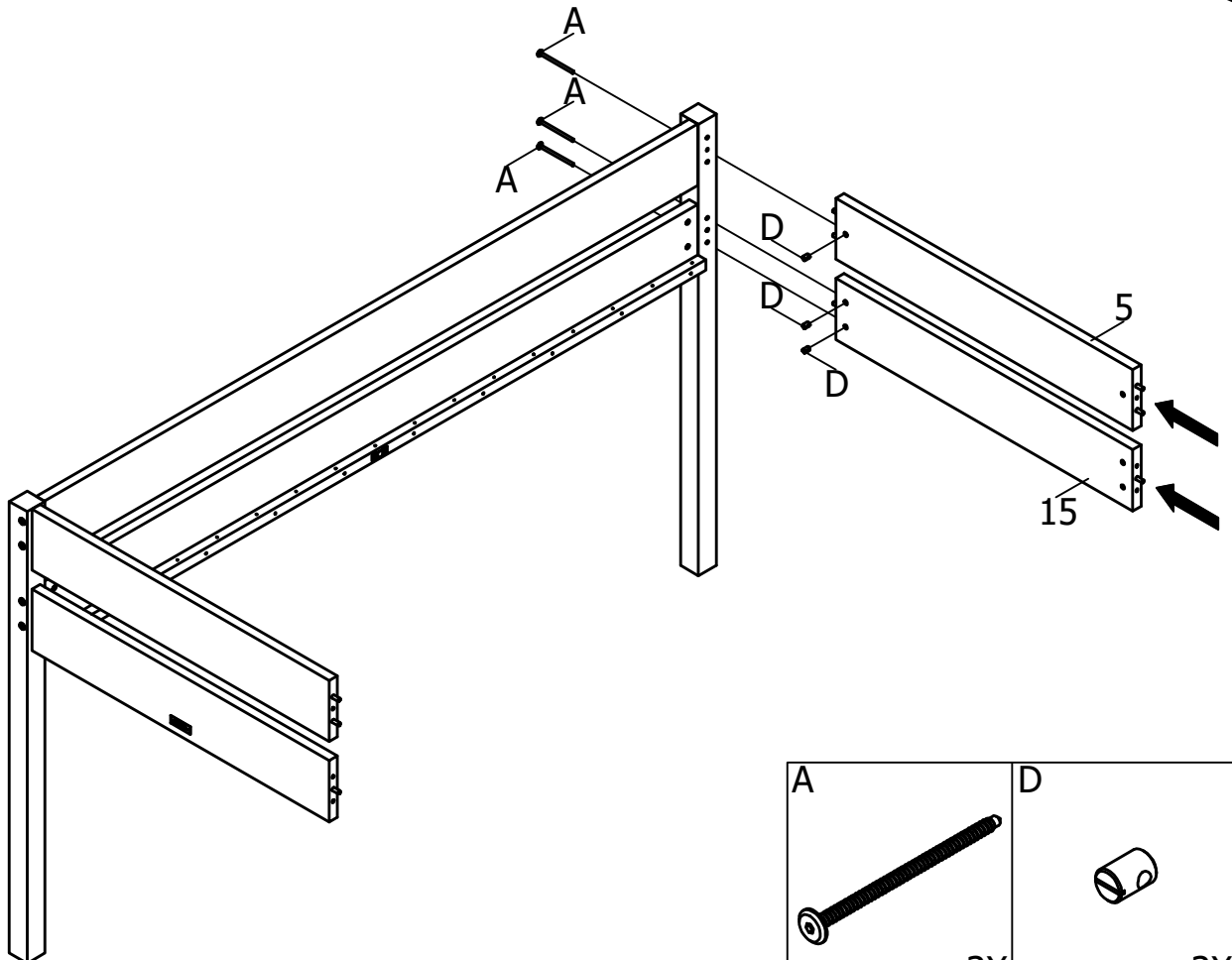
7



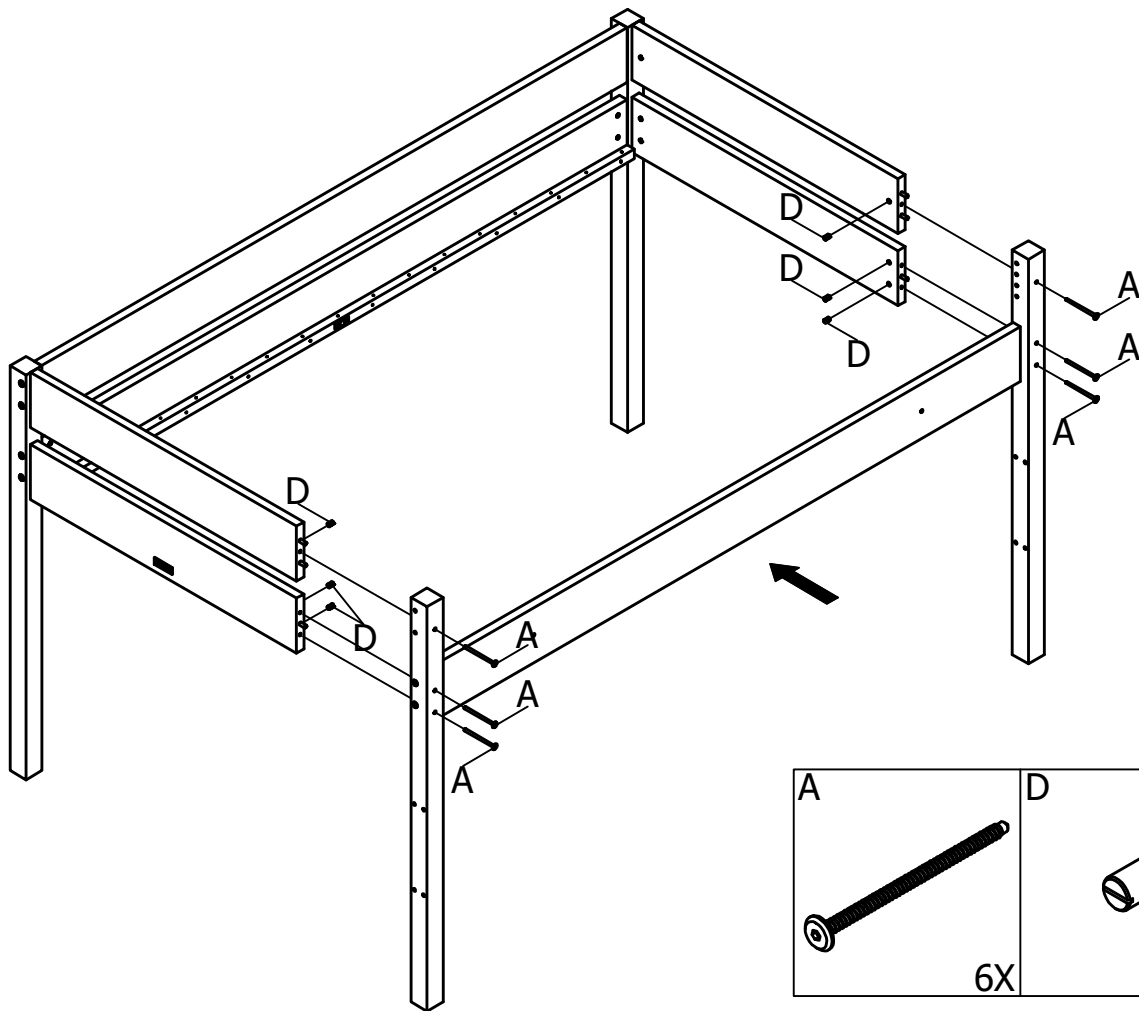
8



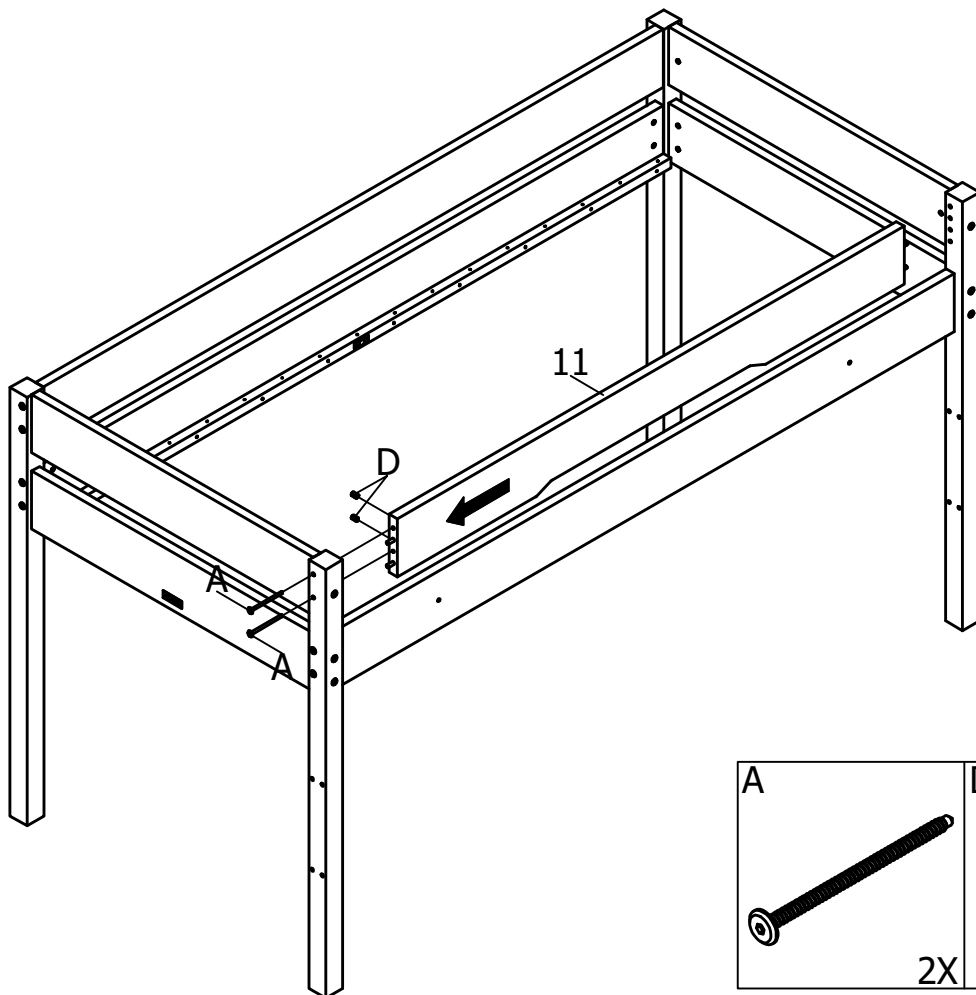
9



10

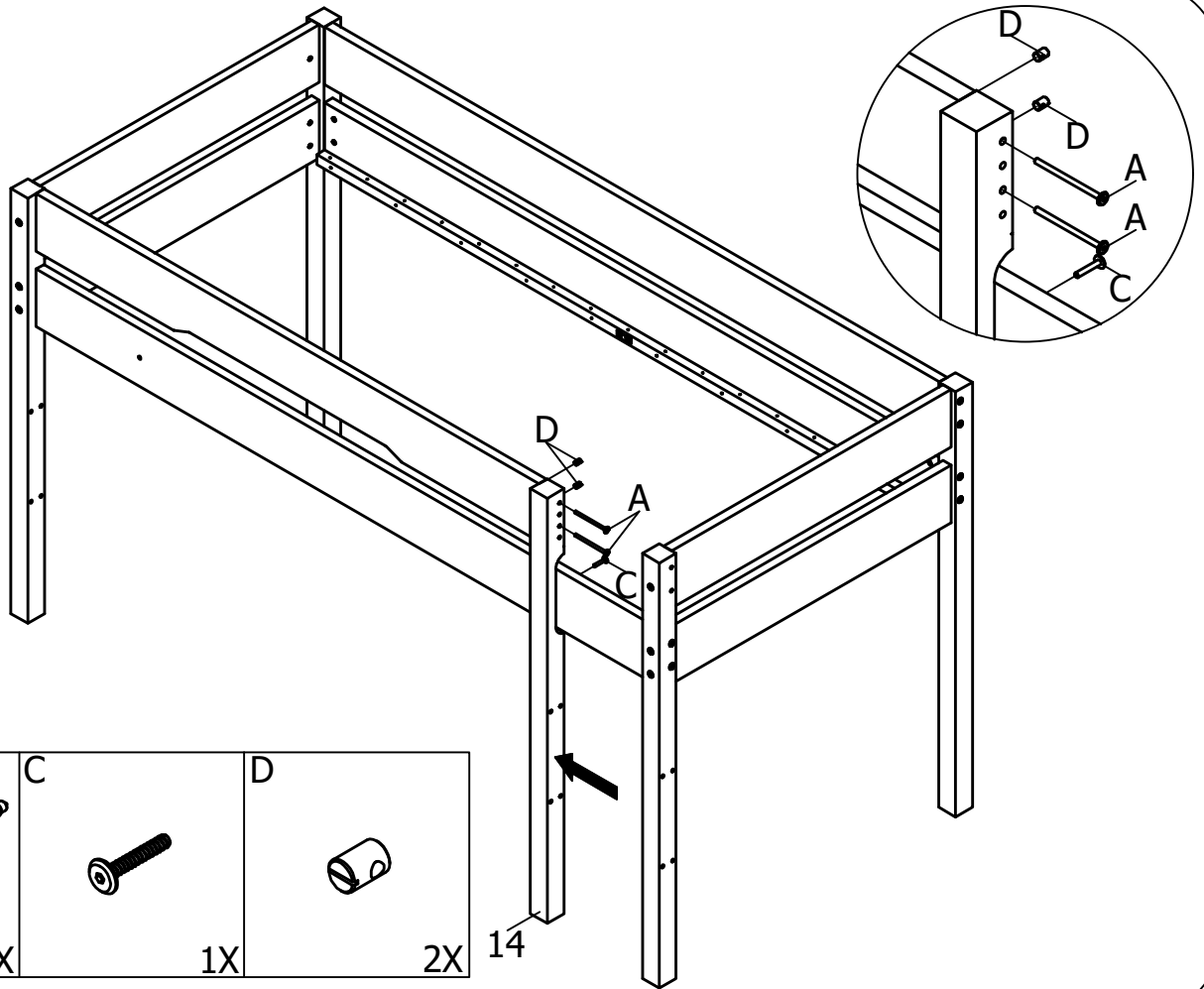


11

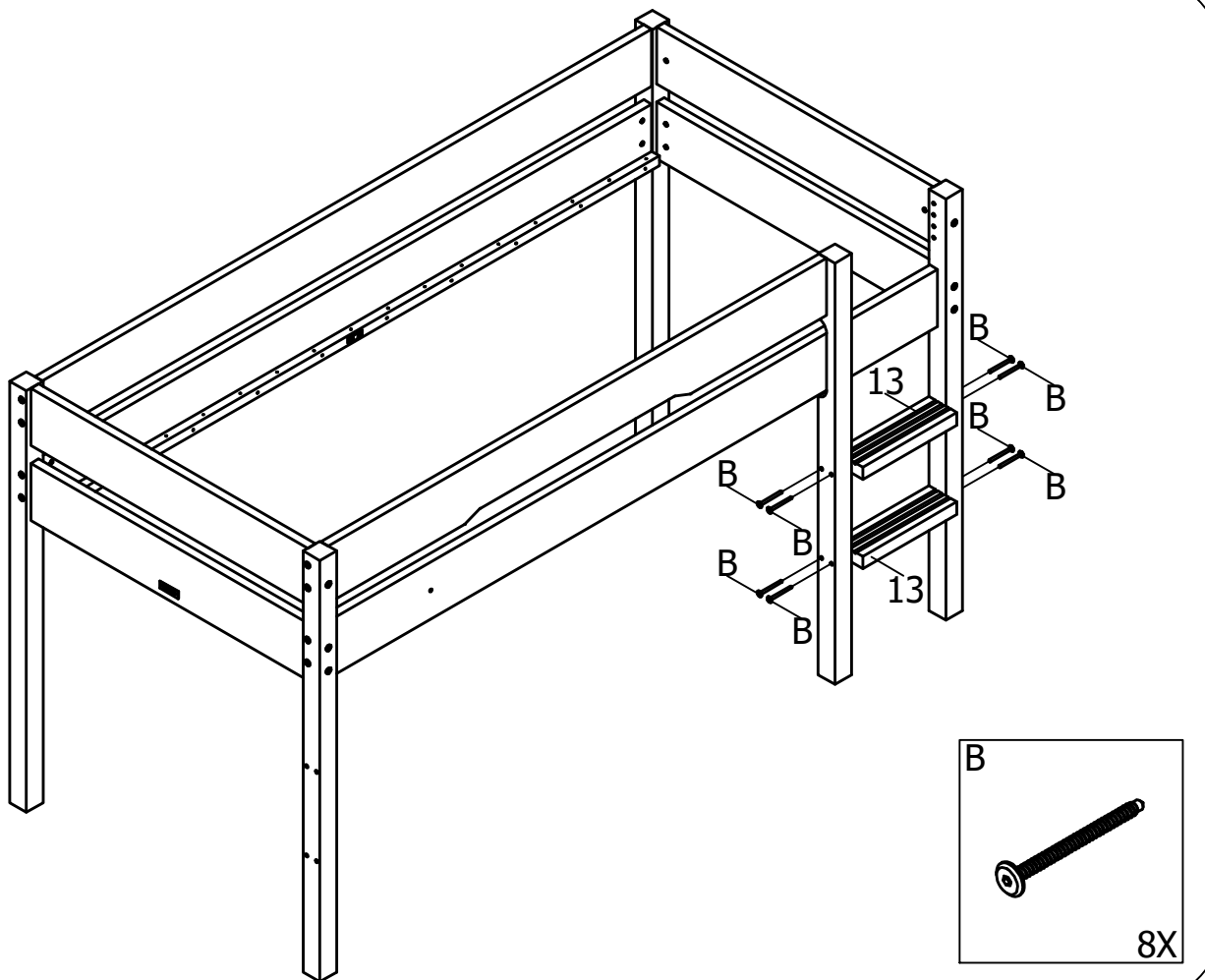




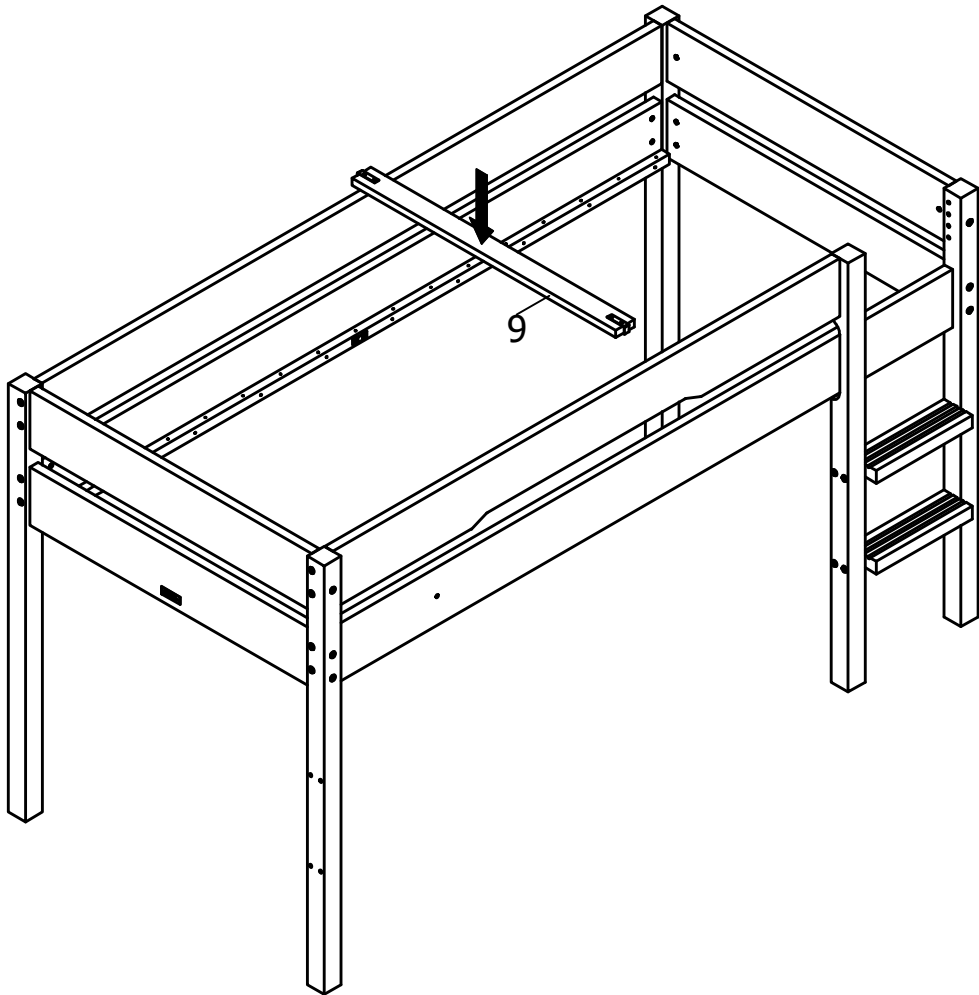
12



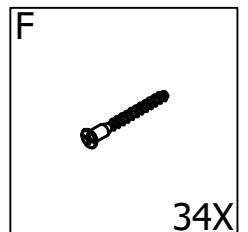
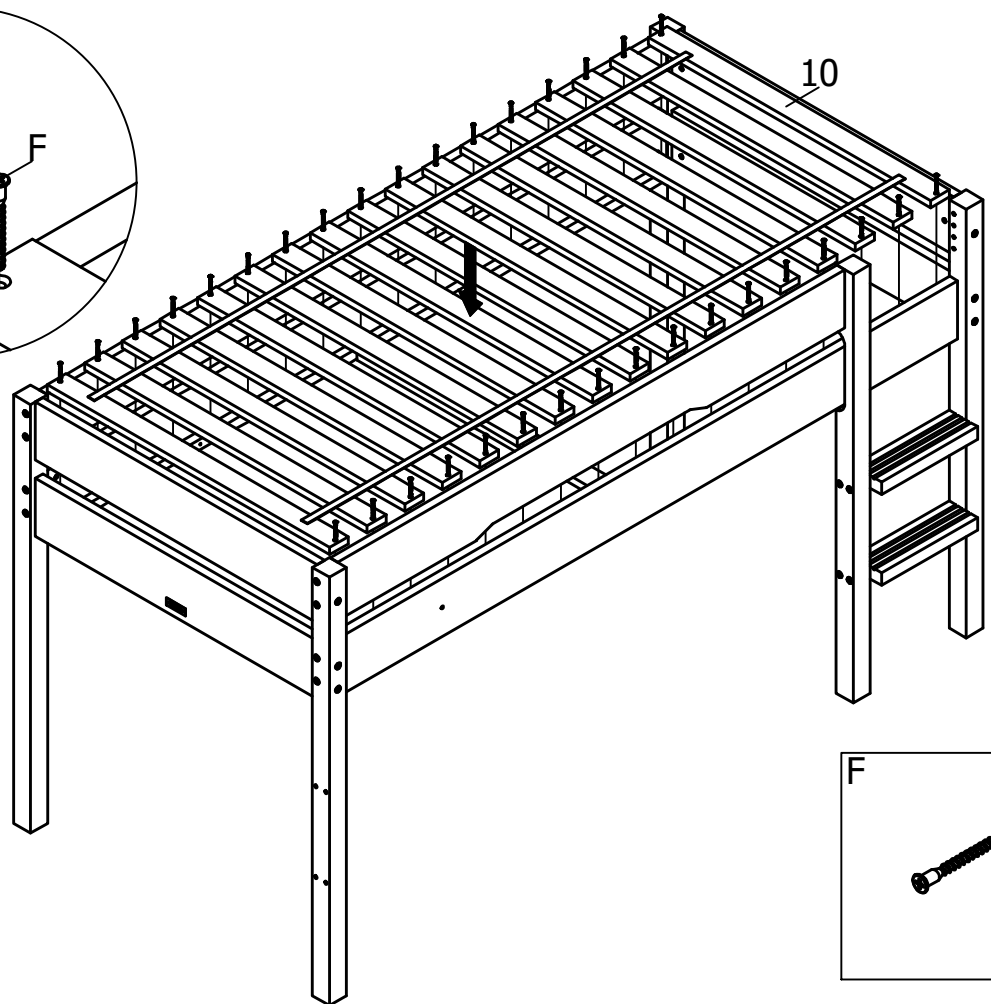
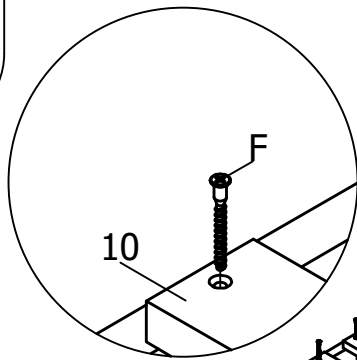
13



14



15



# LUCAS

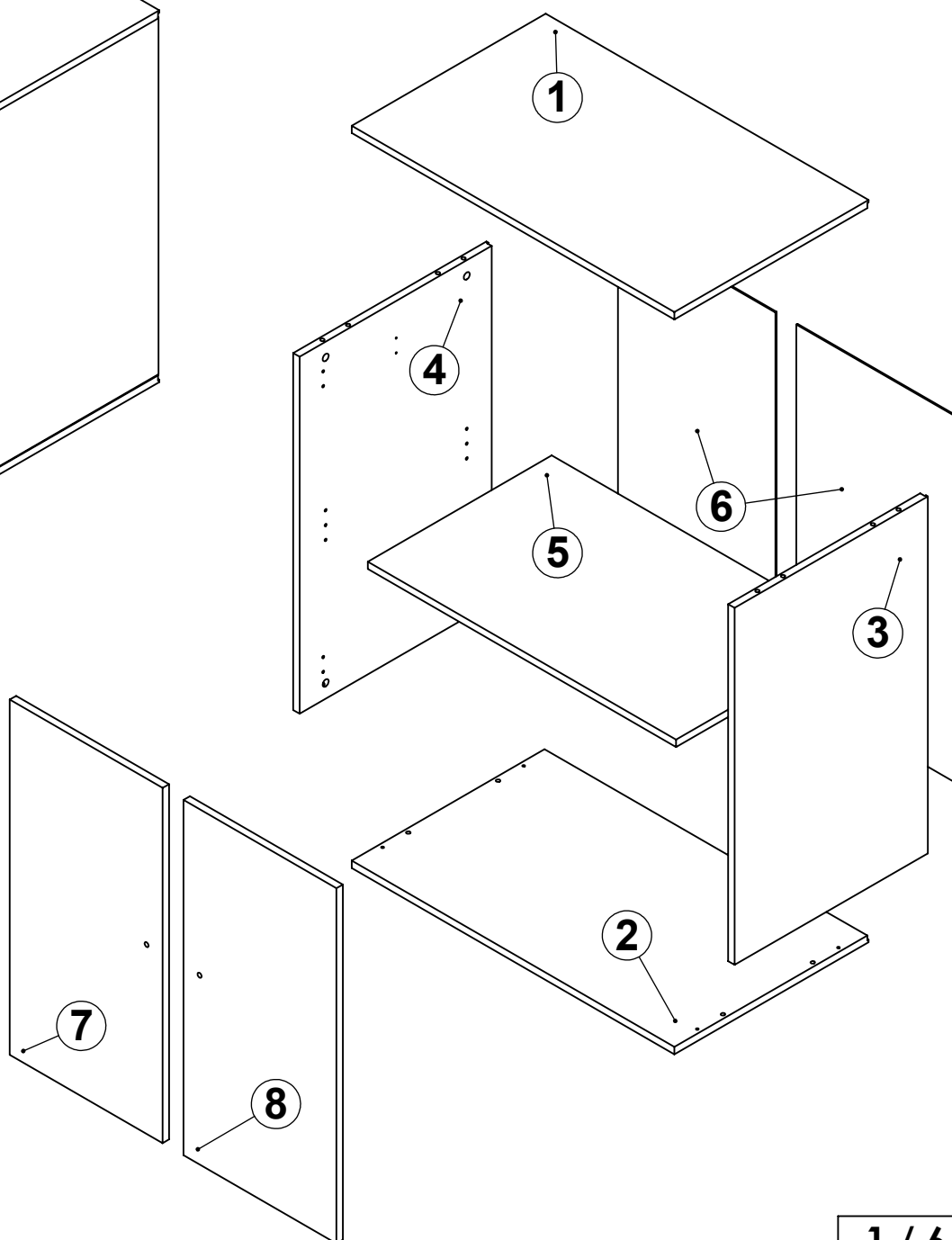
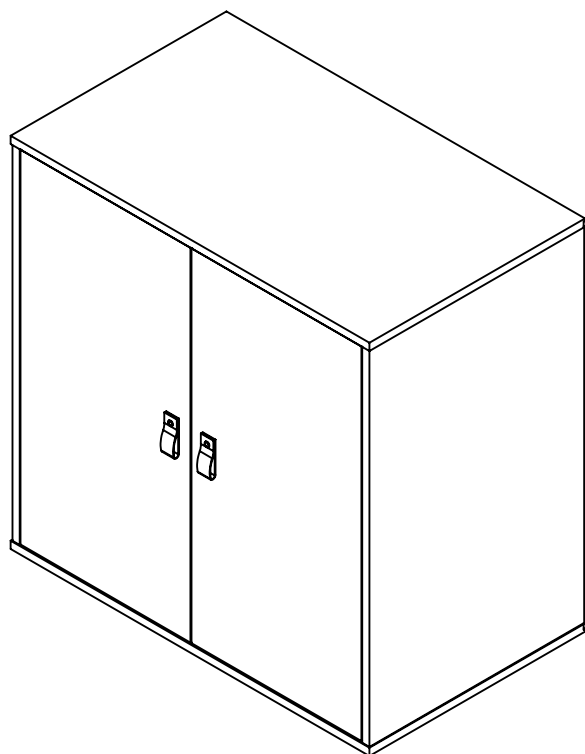
001 / 21/07/2023

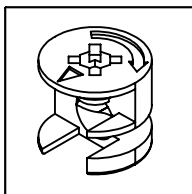
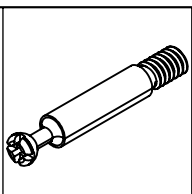
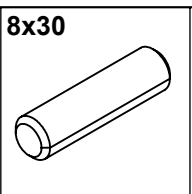
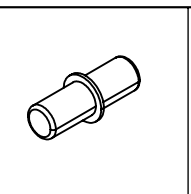
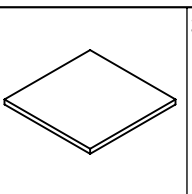
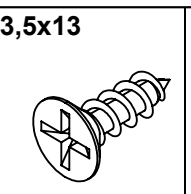
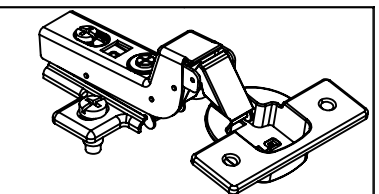
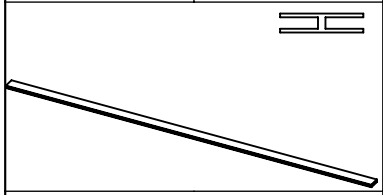
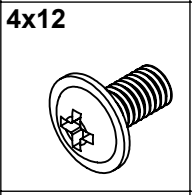
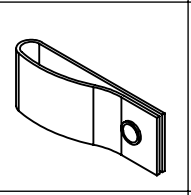
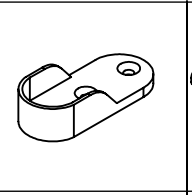
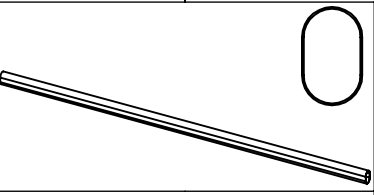
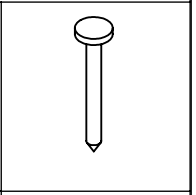
## CABINET 2D HHS


### ART CODE: 440 23 201

# bopita®

"BOPITA"  
LION INTERNATIONAL B.V.  
ENERGIEWEG 1  
6662 NS ELST GLD  
NEDERLAND  
[www.bopita.com](http://www.bopita.com)

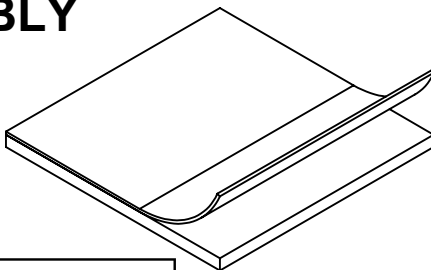


		8x30 			3,5x13 		
<b>A x 8</b>	<b>B x 8</b>	<b>C x 8</b>	<b>D x 4</b>	<b>E x 4</b>	<b>F x 12</b>	<b>G1/G2 x 2/2</b>	
		4x12 					
<b>H x 1</b>		<b>I x 2</b>	<b>J x 2</b>	<b>K x 2</b>	<b>L x 3</b>		<b>M x 24</b>

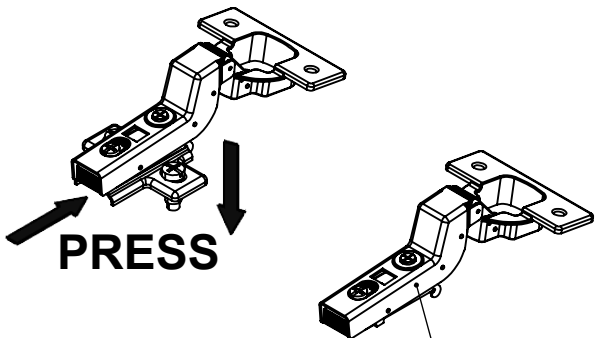


**IMBUS**

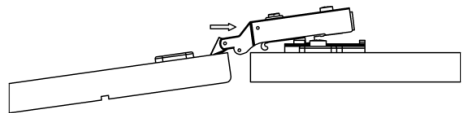
**BEFORE ASSEMBLY**



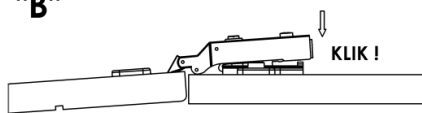
**PRESS**

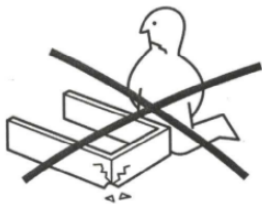
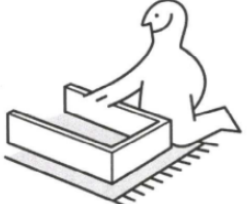


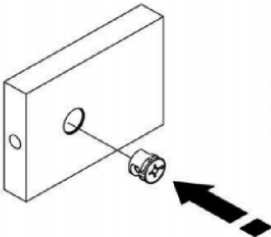
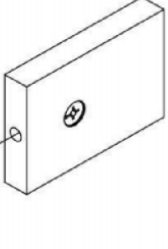
**"A"**

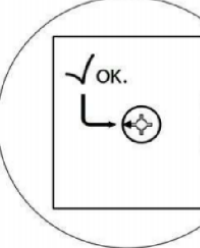
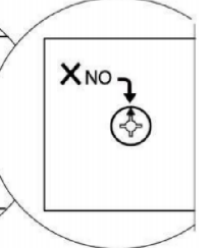
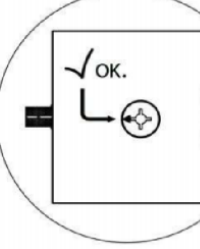
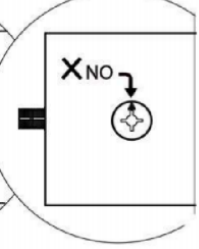


**"B"**

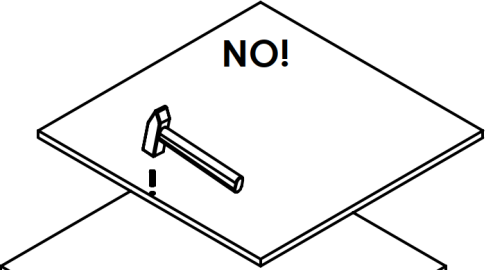


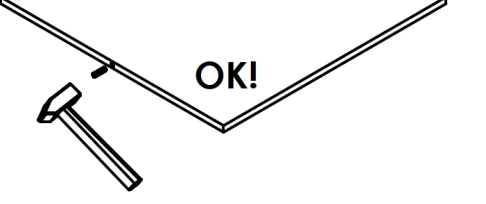



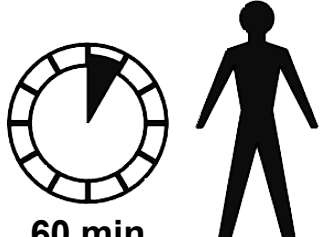





**NO!**

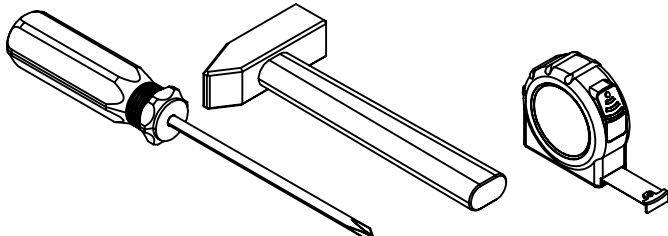


**OK!**



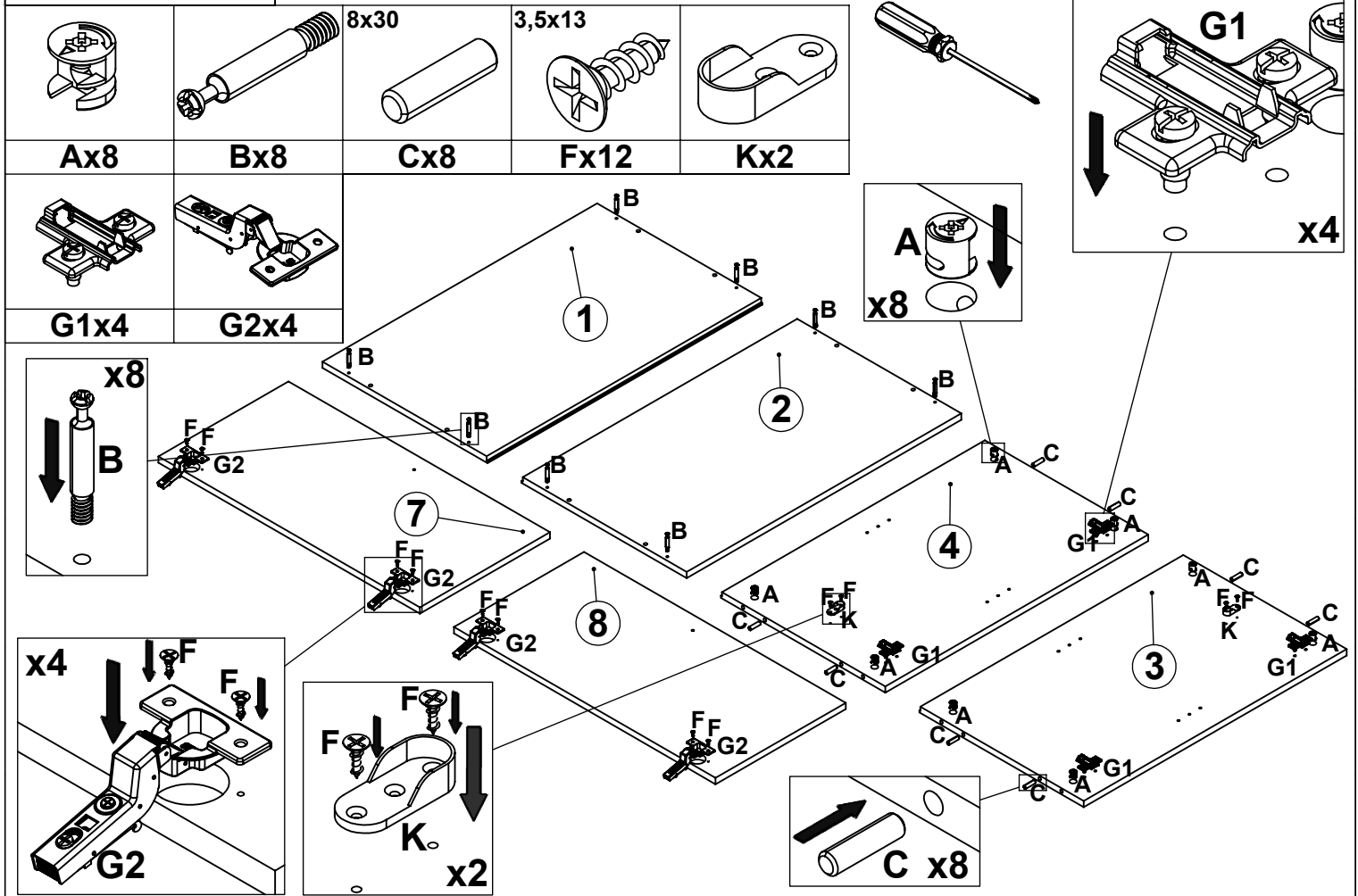


**60 min.**

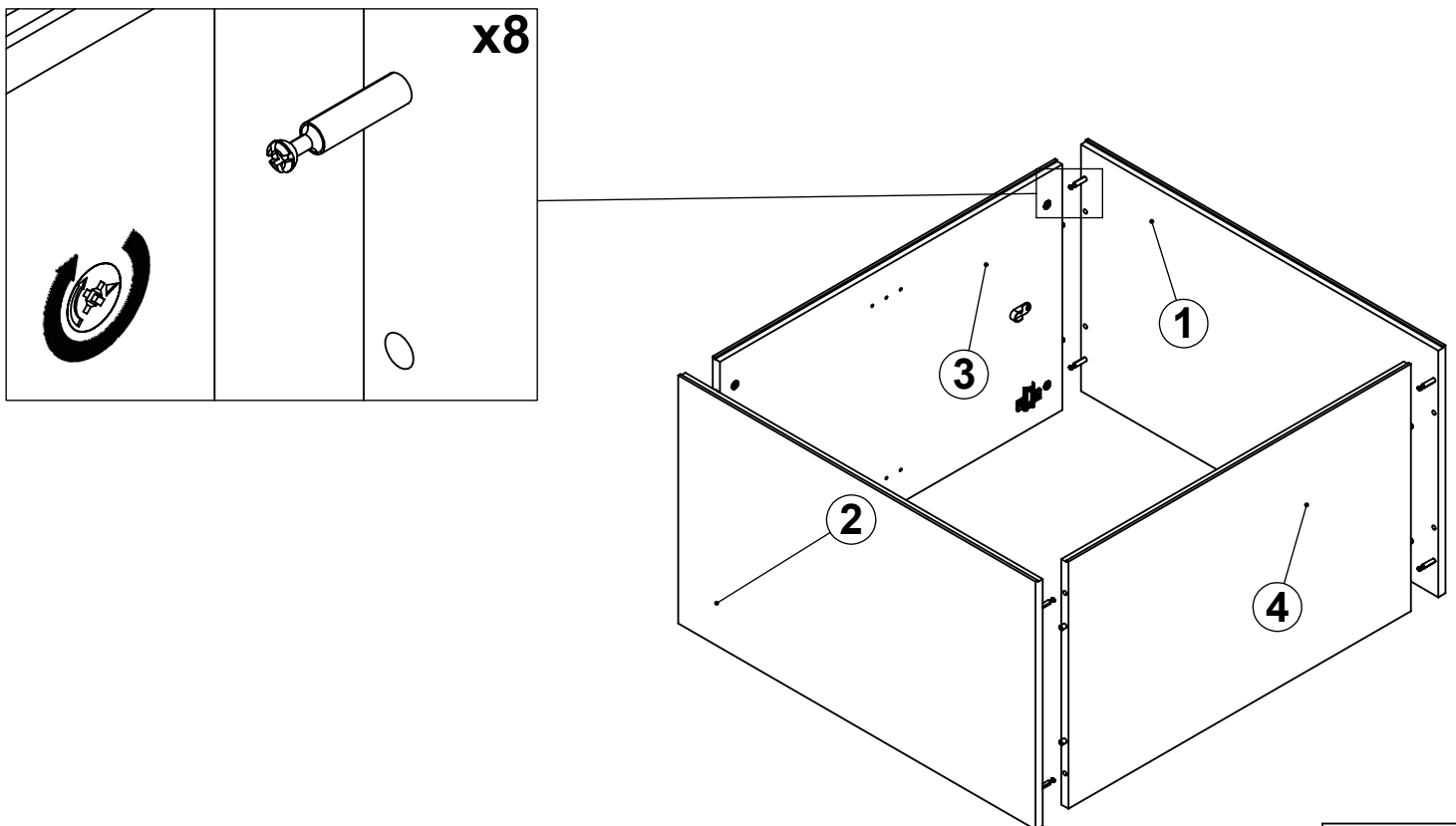


**2 / 6**

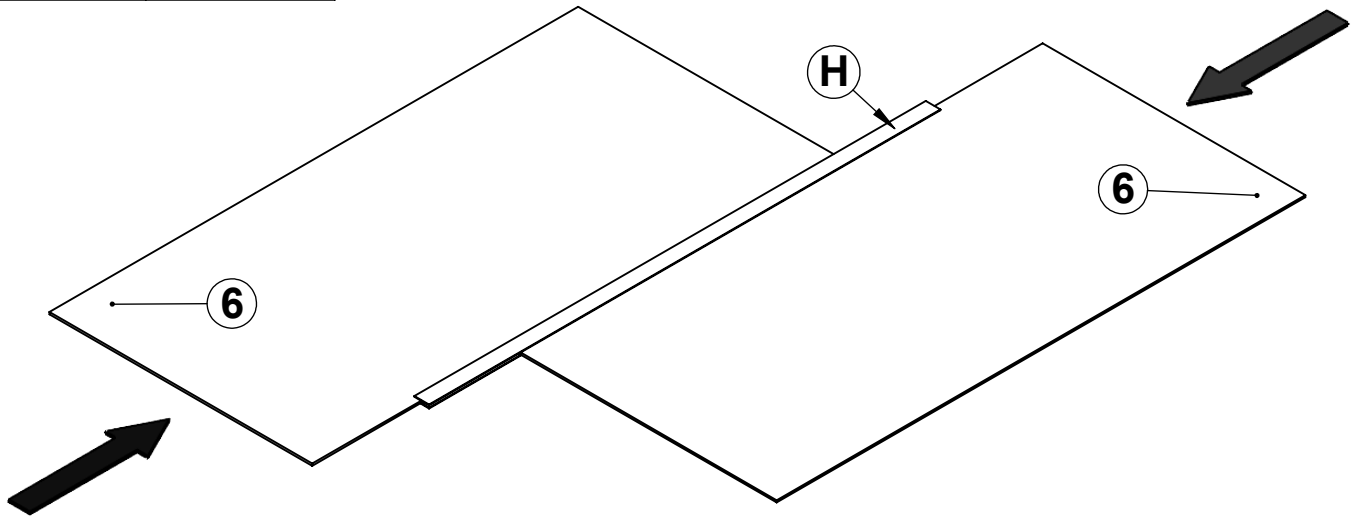
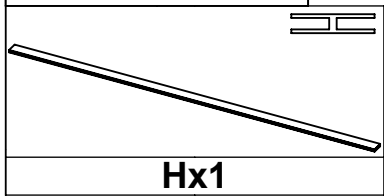
# STEP - 1



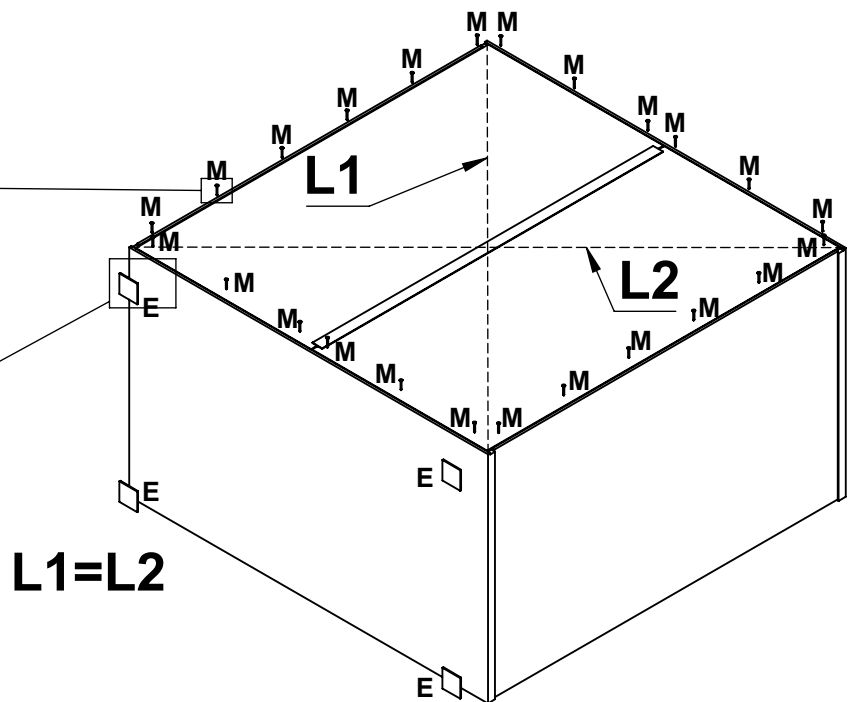
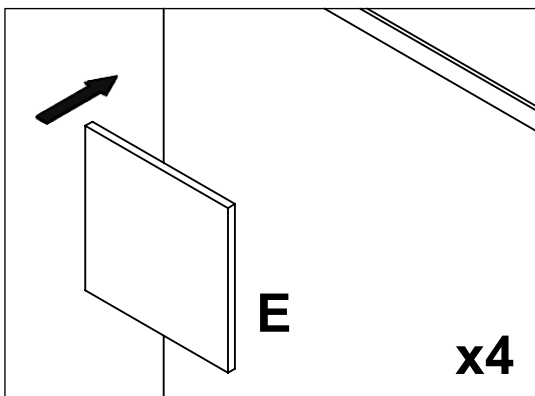
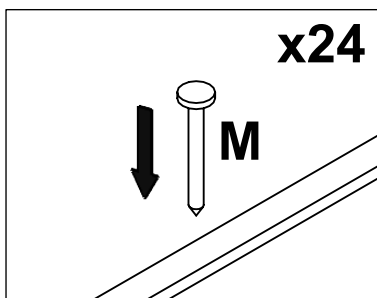
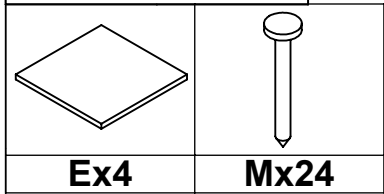
# STEP - 2



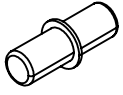
**STEP - 3**



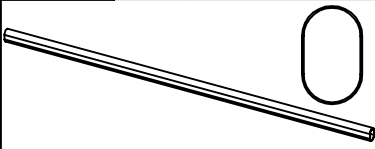
**STEP - 4**



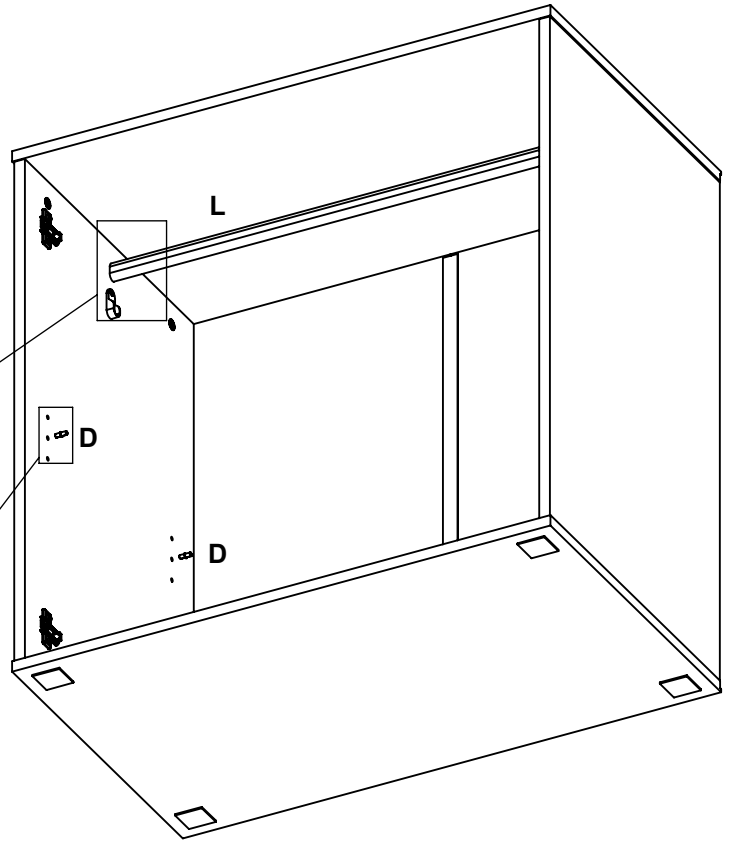
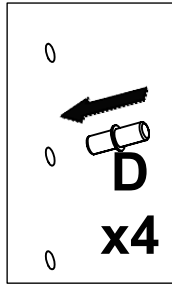
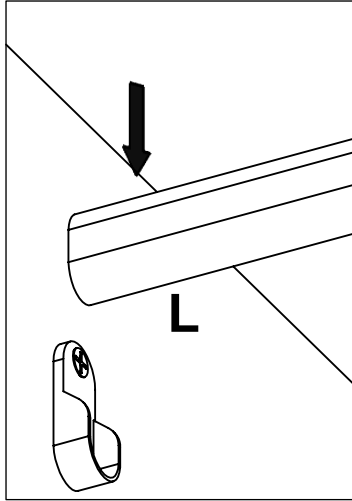
### STEP - 5



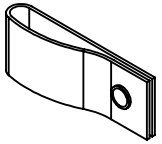
Dx4



Lx1

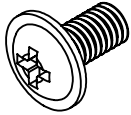


### STEP - 6

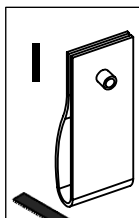
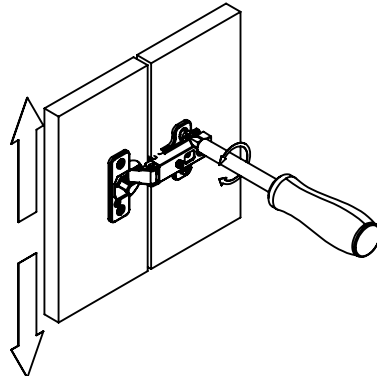
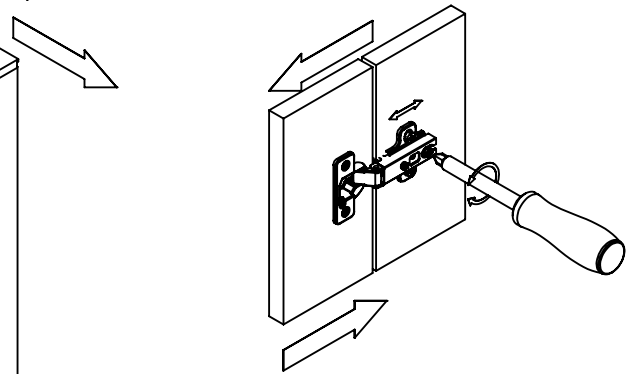
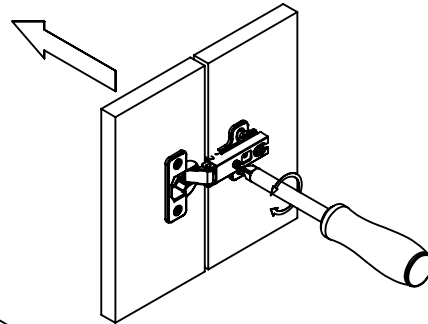
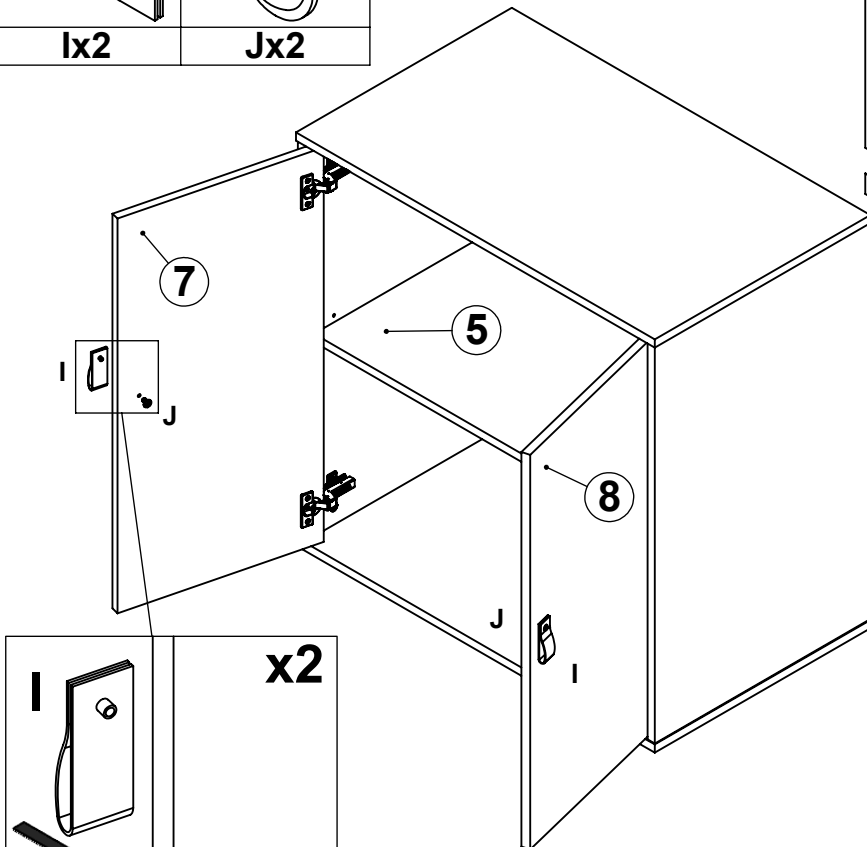


Ix2

4x12



Jx2



x2



**QC-CODE**

**(UK) for service requests**

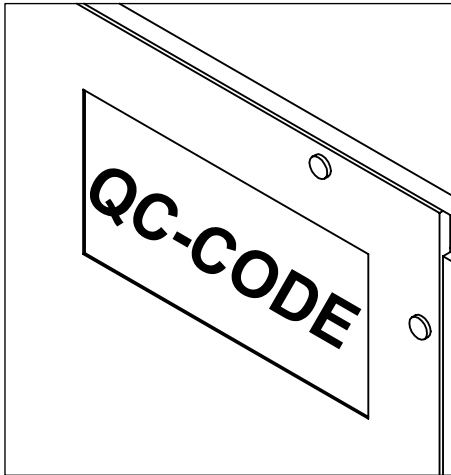
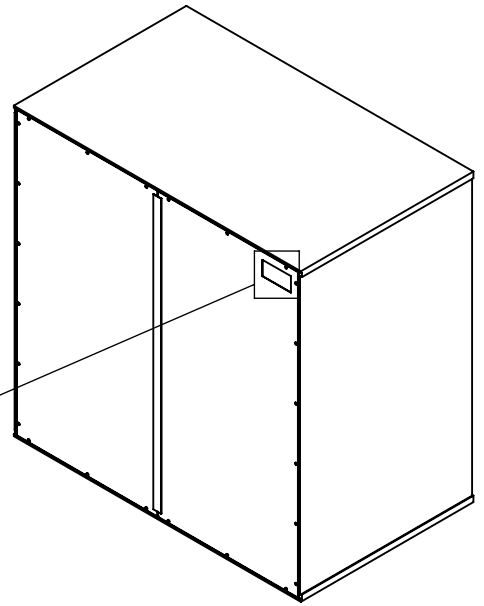
**(NL) voor service vragen**

**(FR) pour les demandes de service**

**(DE) für Service Anfragen**

**(ES) para consultas de servicio**

**(IT) per richieste di assistenza**





# LUCAS

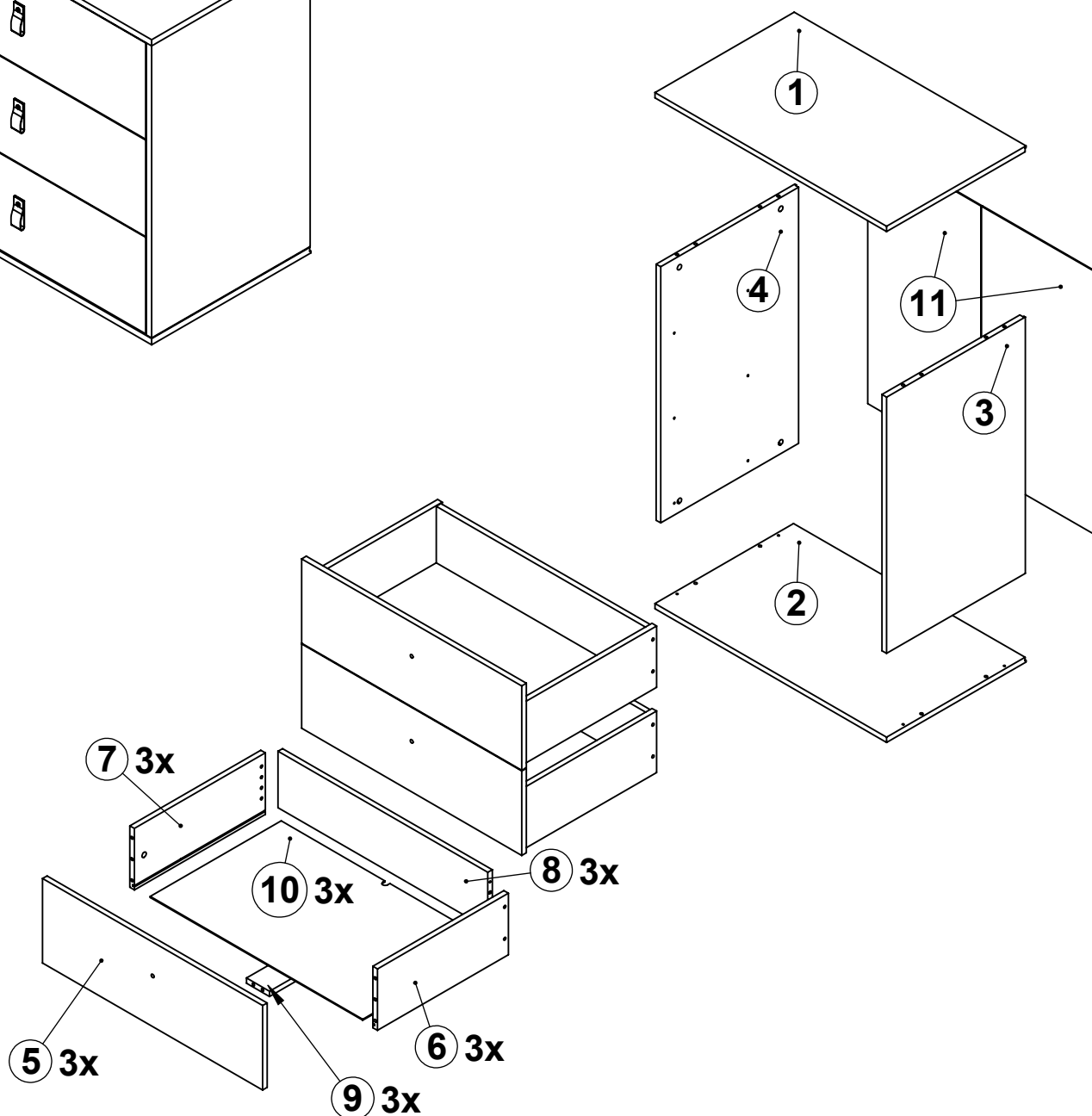
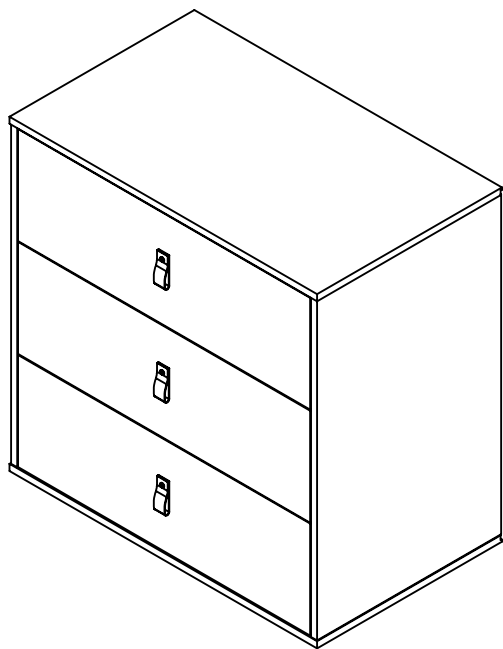
001 / 21/07/2023


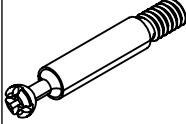
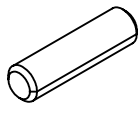
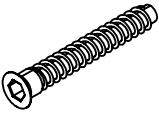
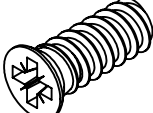

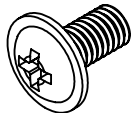
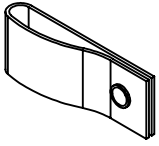
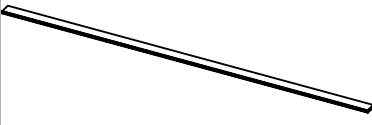
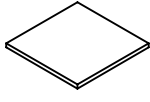
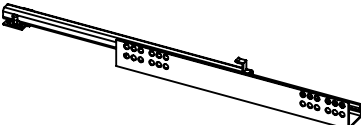
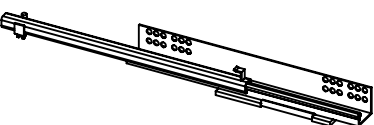

DRESSER 3 DRAWERS HHS

ART CODE: 450 23 201

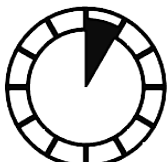
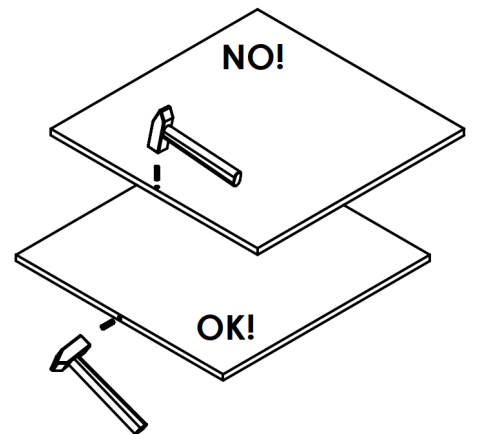
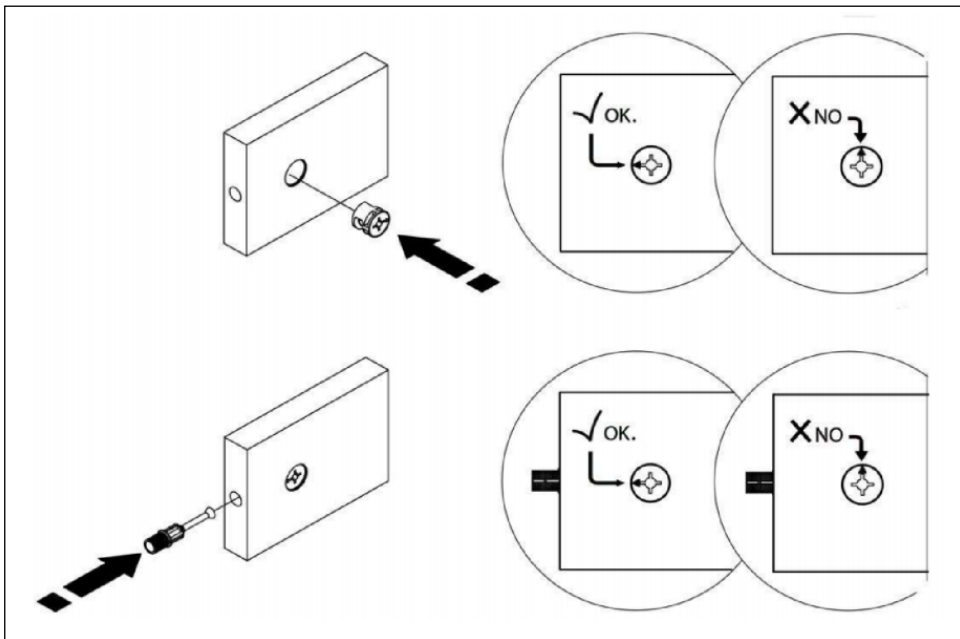
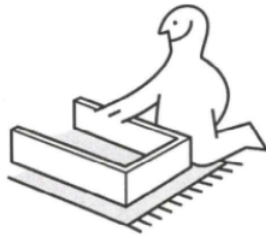
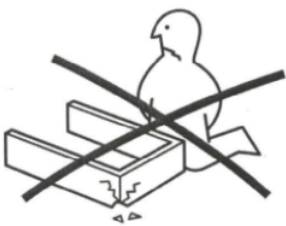
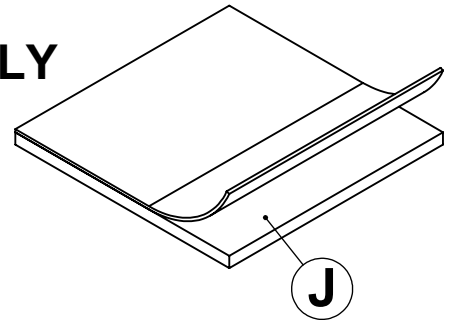
**bopita**<sup>®</sup>

"BOPITA"  
LION INTERNATIONAL B.V.  
ENERGIEWEG 1  
6662 NS ELST GLD  
NEDERLAND  
[www.bopita.com](http://www.bopita.com)

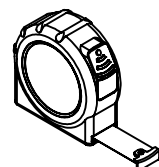
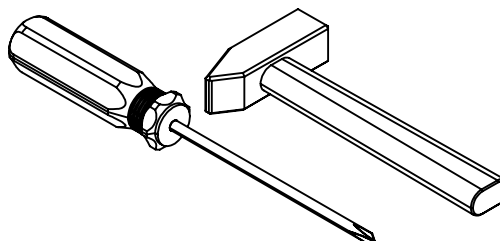


		8x30 	7x50 	6x13 		4x12 	
<b>A x 17</b>	<b>B x 17</b>	<b>C x 35</b>	<b>D x 15</b>	<b>E x 12</b>	<b>F x 42</b>	<b>G x 3</b>	<b>H x 3</b>
							
<b>I x 1</b>		<b>J x 4</b>	<b>K x 3</b>		<b>L x 3</b>		<b>IMBUS</b>

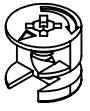
**BEFORE ASSEMBLY**



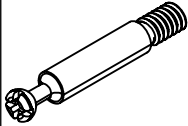
60 min.



# STEP - 1

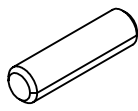


Ax8

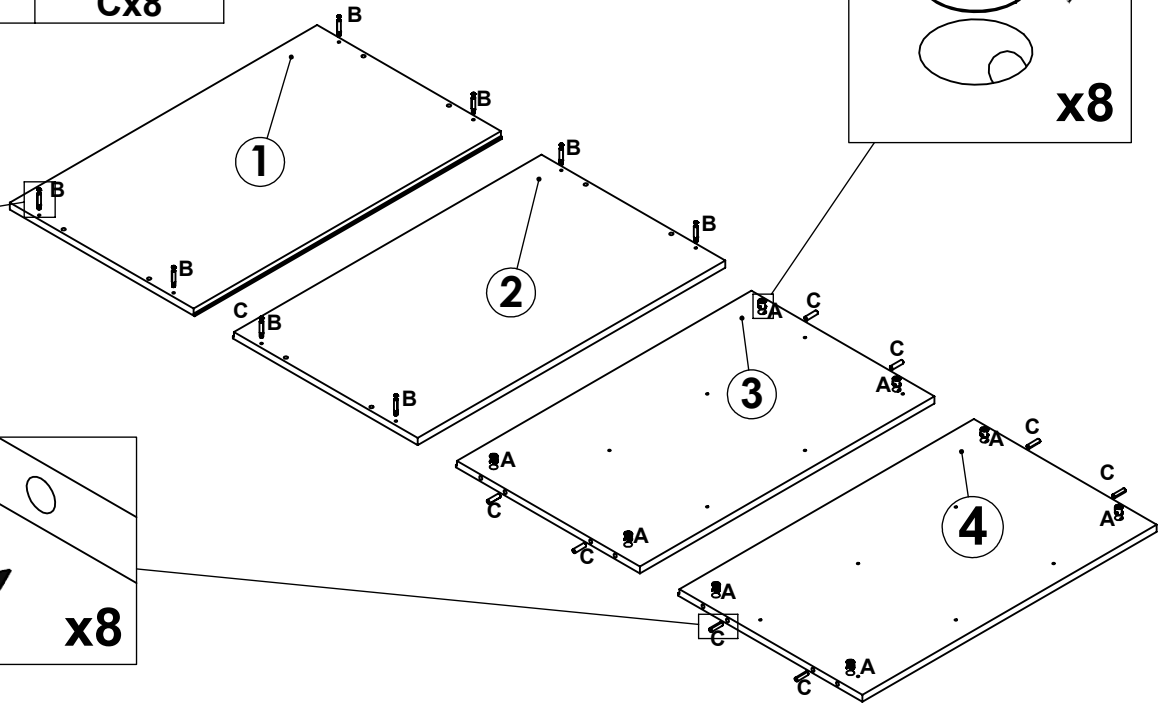
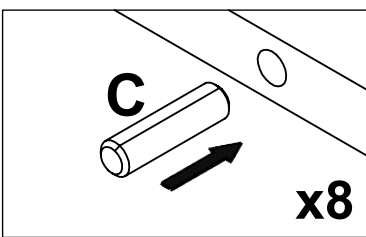
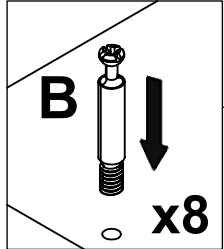
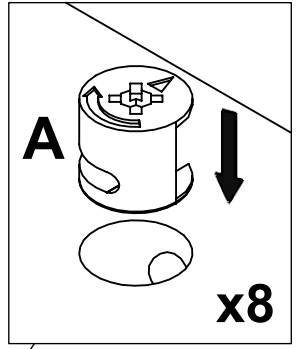
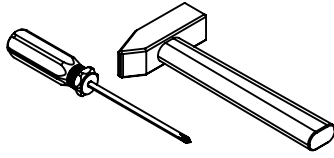


Bx8

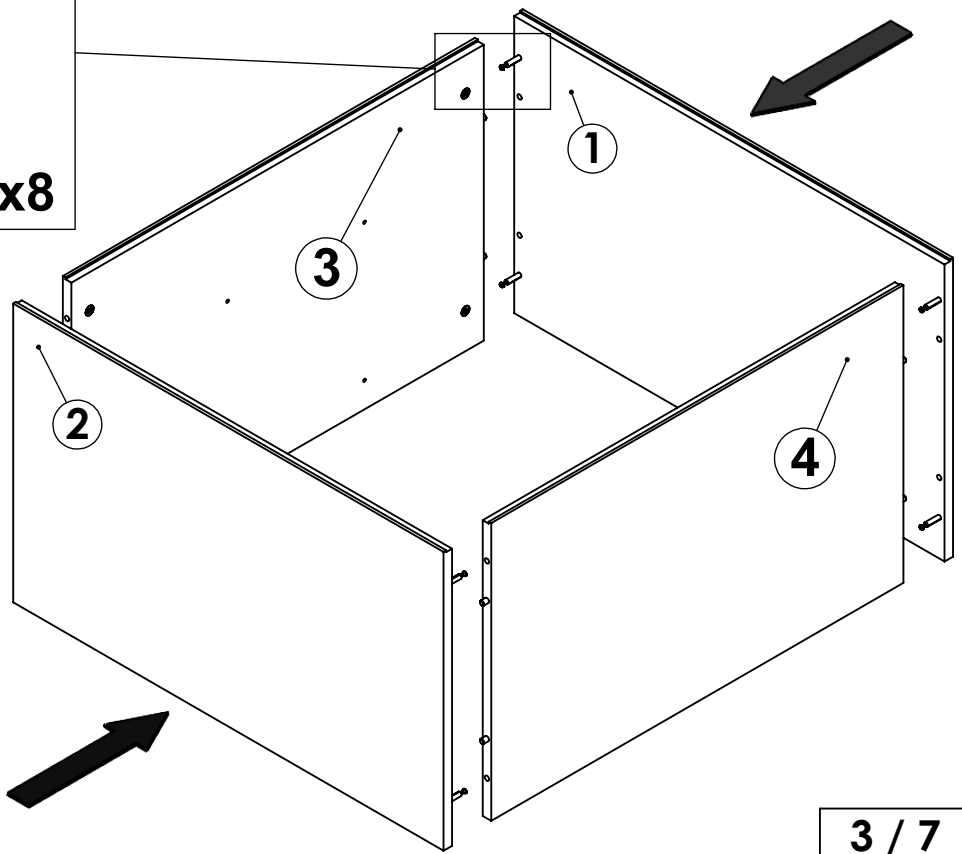
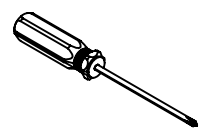
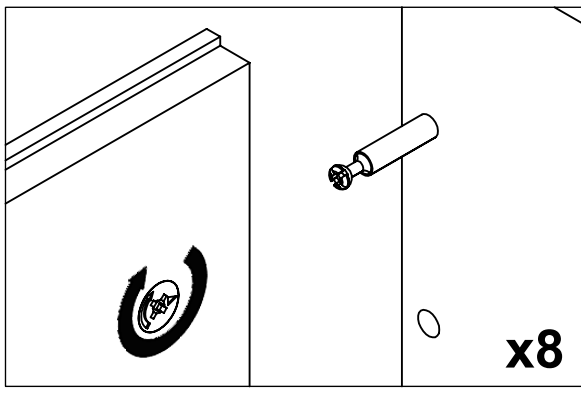
8x30



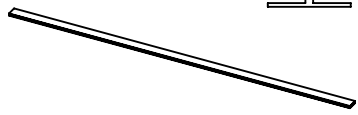
Cx8



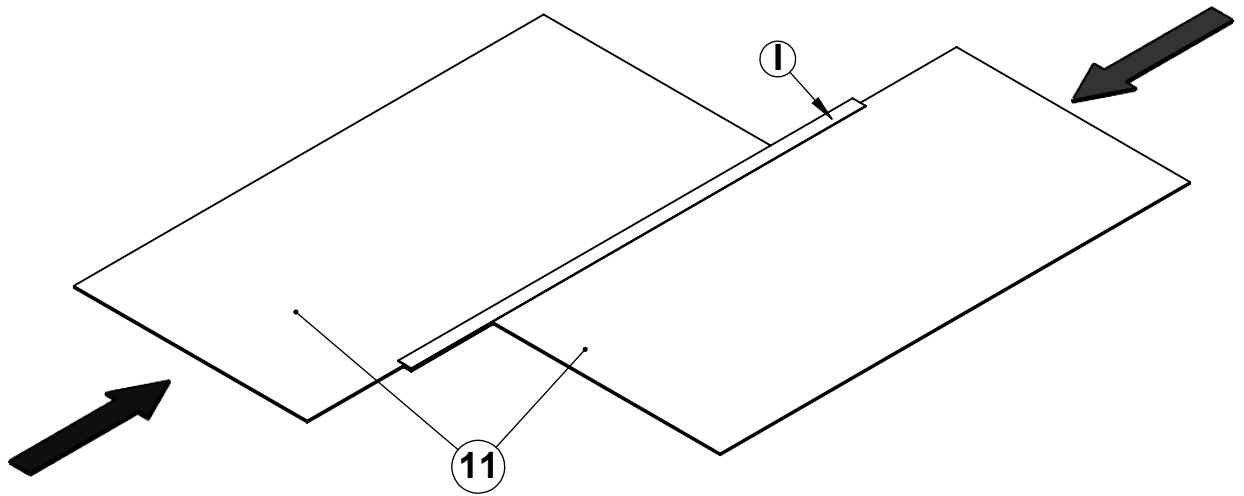
# STEP - 2



### STEP - 3



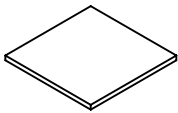
1x1



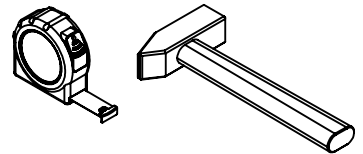
### STEP - 4



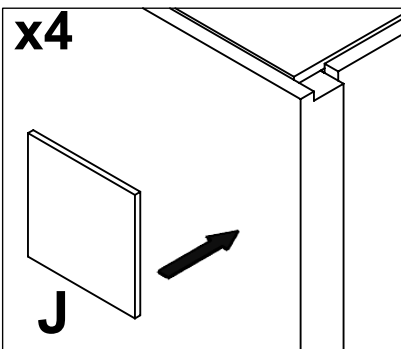
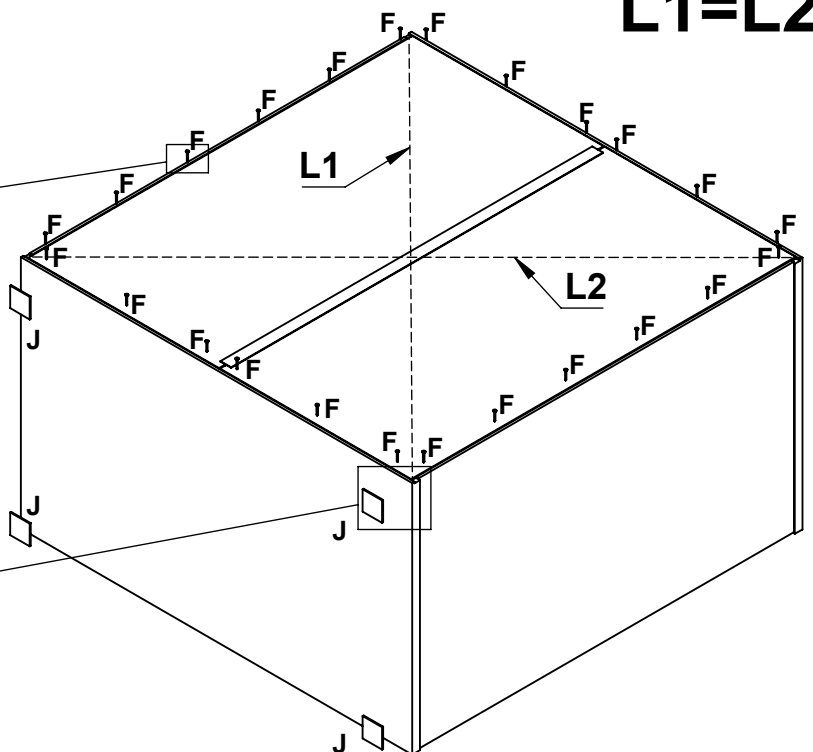
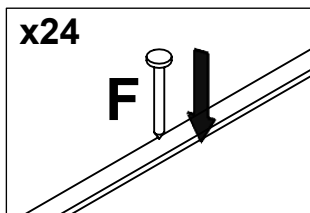
Fx24



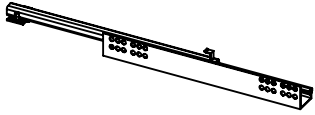
Jx4



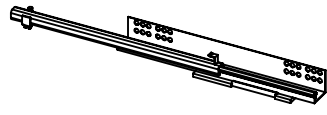
L1=L2



# STEP - 5

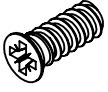


Kx3

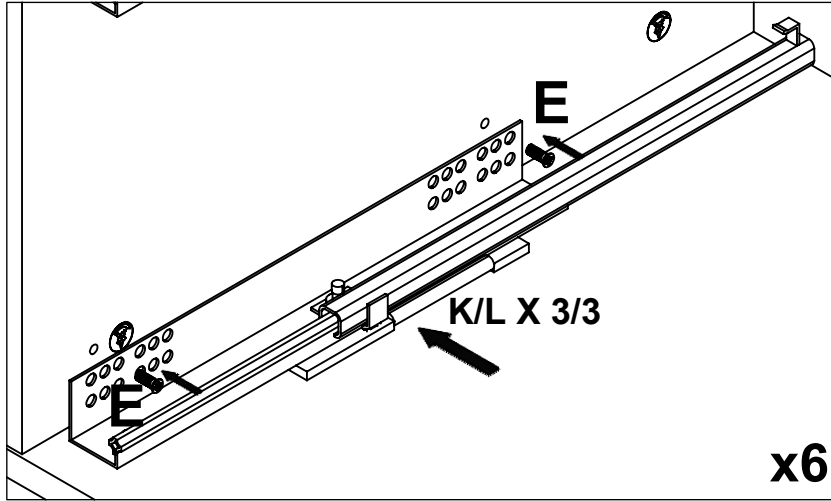
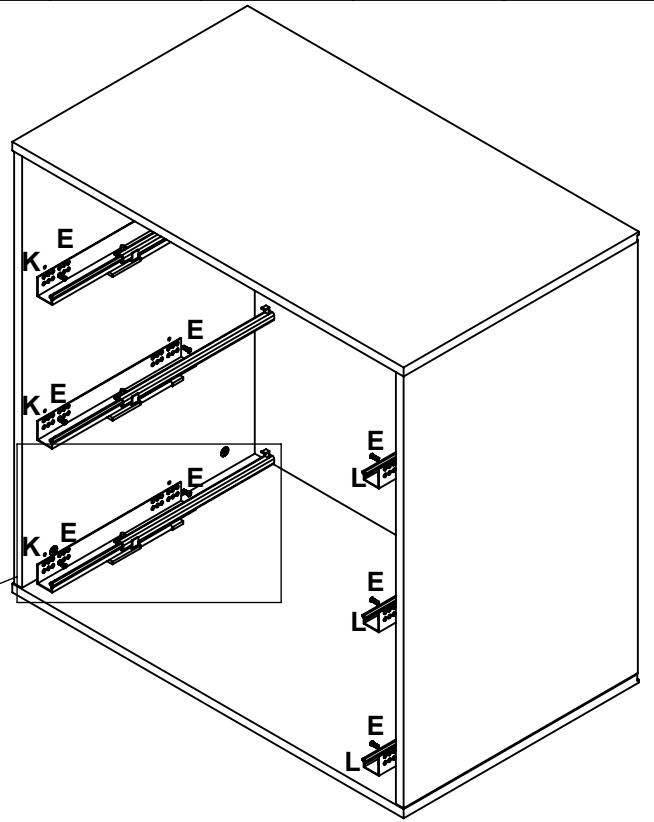
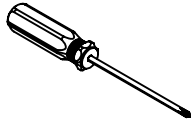


Lx3

6x13



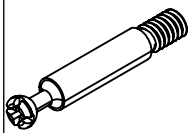
Ex12



# STEP - 6

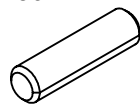


Ax9

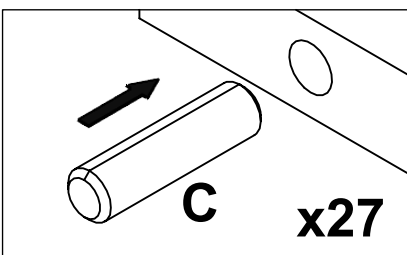
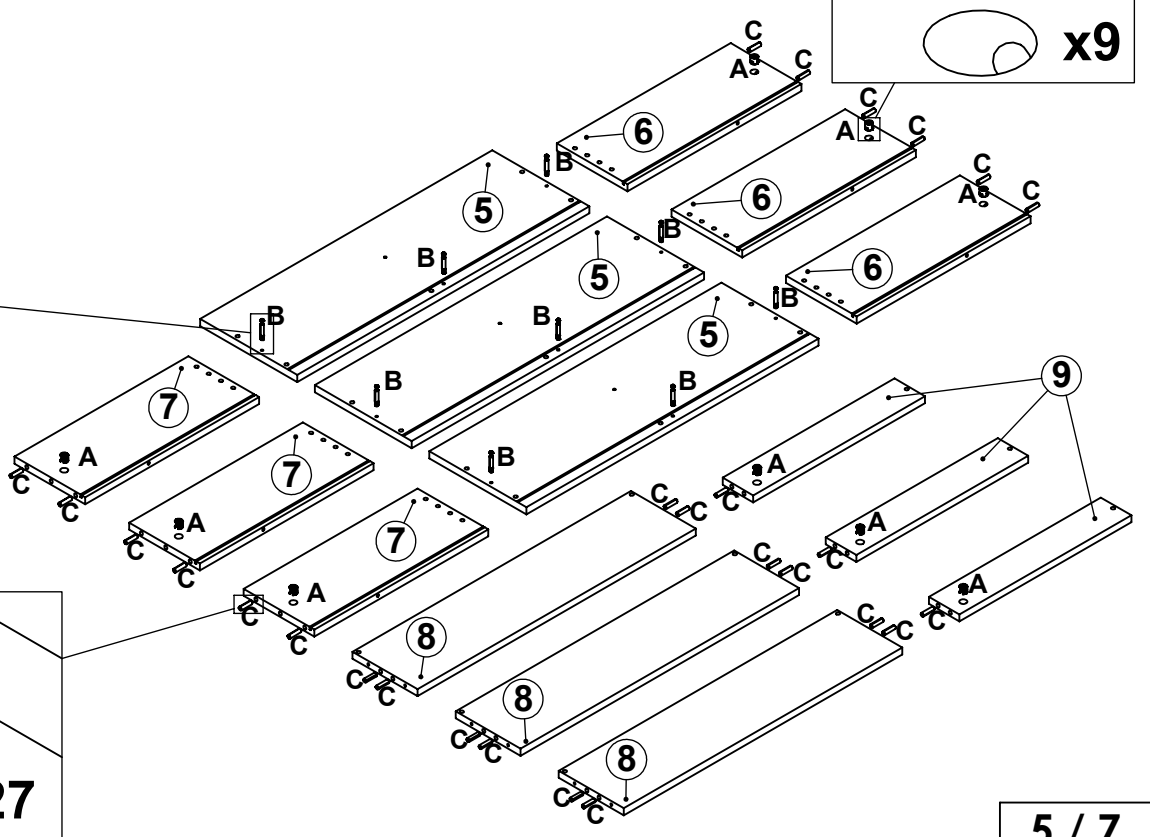
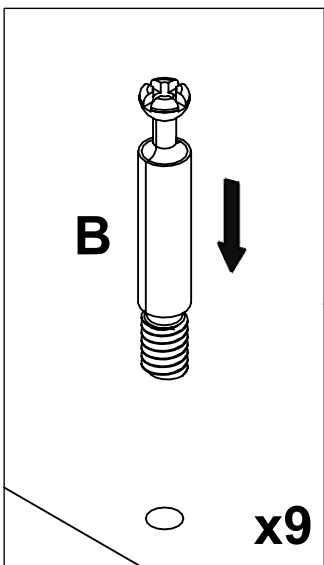
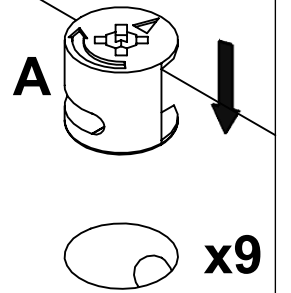
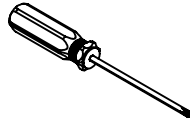


Bx9

8x30

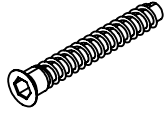


Cx27



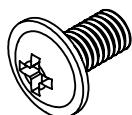
### STEP - 7

7x50

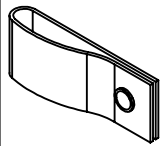


Dx12

4x12

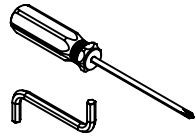


Gx3

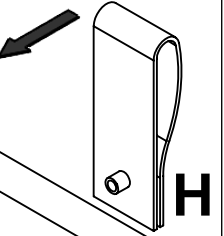


Hx3

x2



G



H

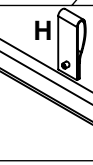
D

D

6

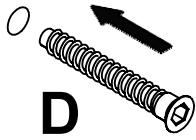
5

G



x3

x4



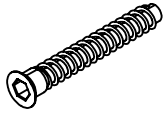
D

8

7

### STEP - 8

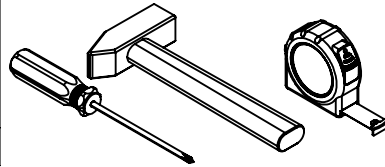
7x50



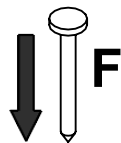
Dx3



Fx18



x3



F

x6

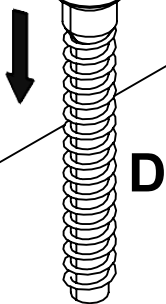
L1=L2

L1

9

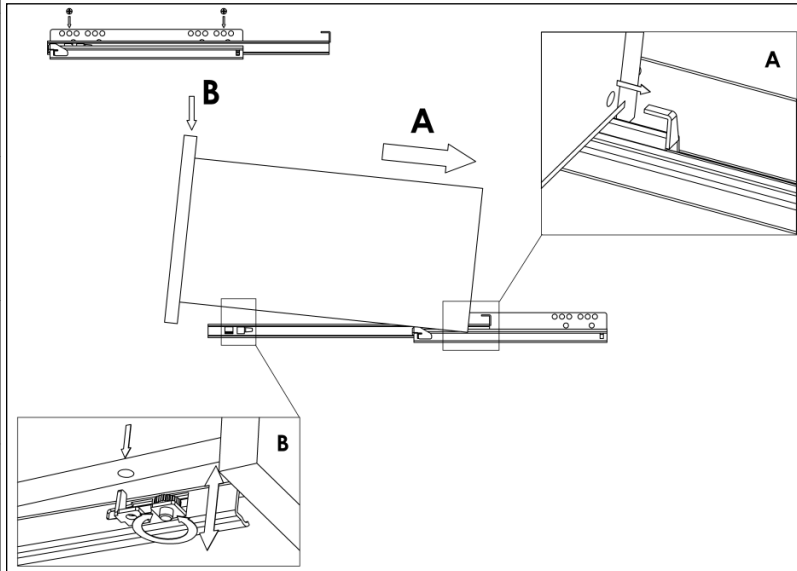
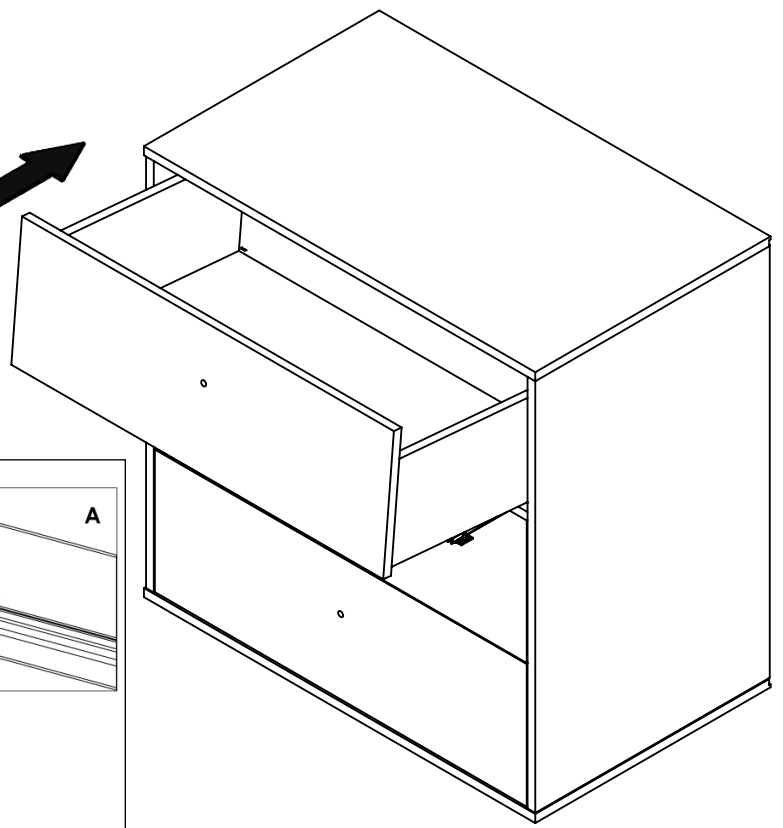
L2

10



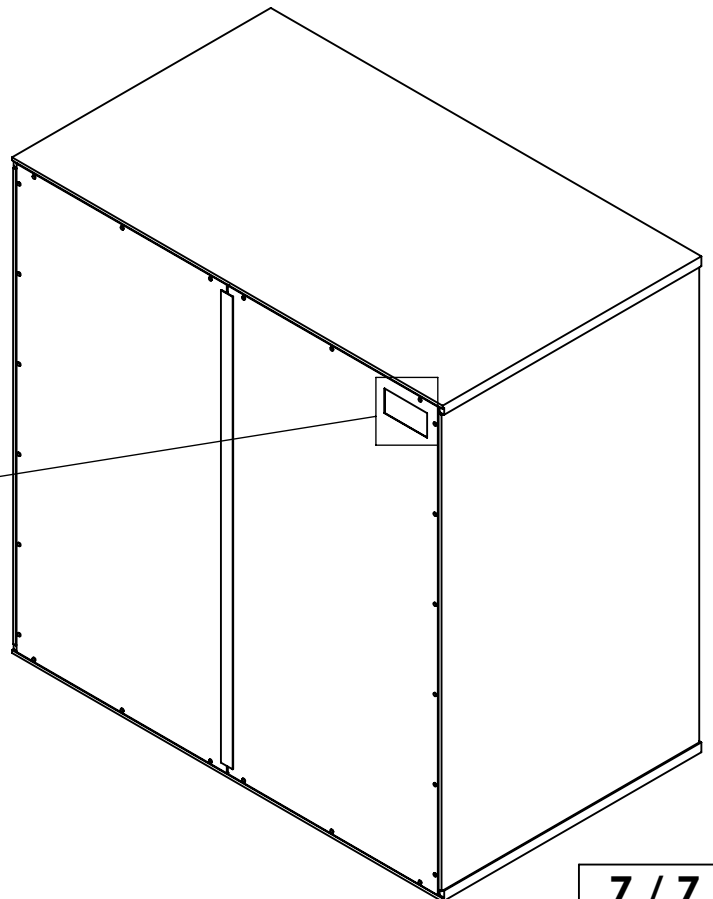
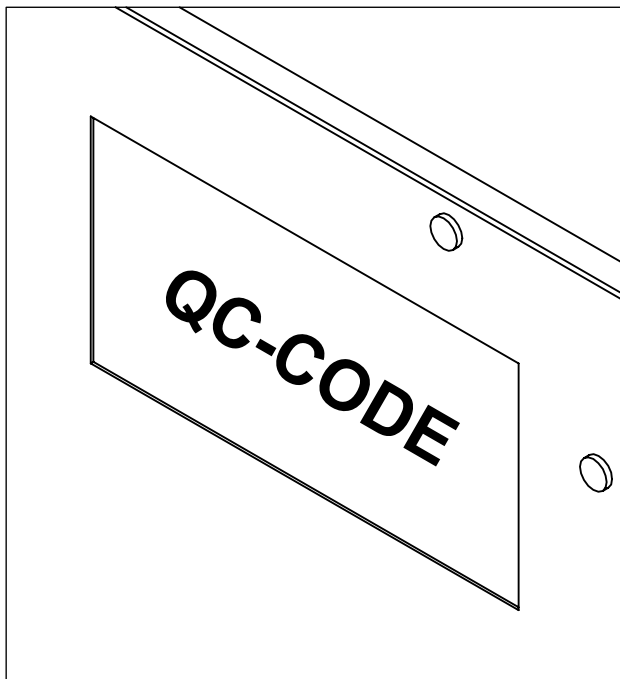
D

## STEP - 9



### QC-CODE

(UK) for service requests  
(NL) voor service vragen  
(FR) pour les demandes de service  
(DE) für Service Anfragen  
(ES) para consultas de servicio  
(IT) per richieste di assistenza



# LUCAS

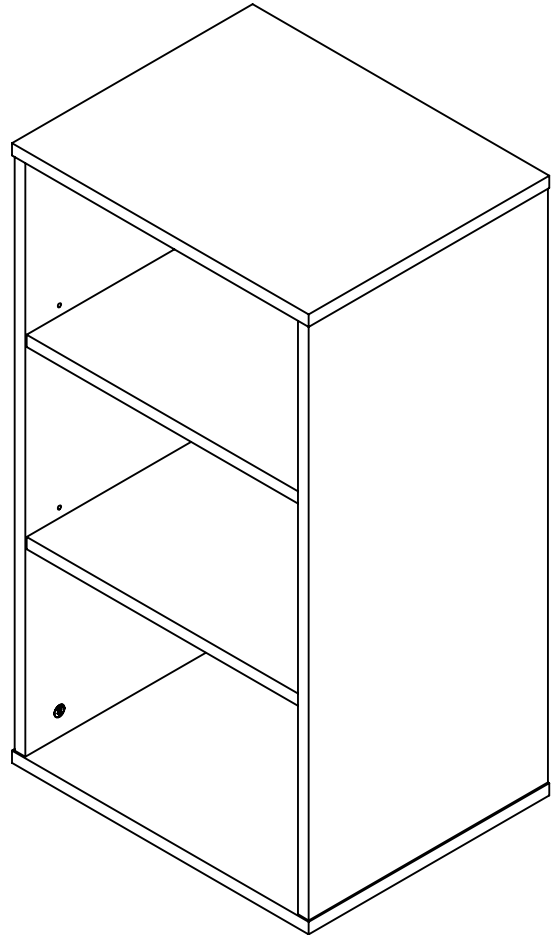
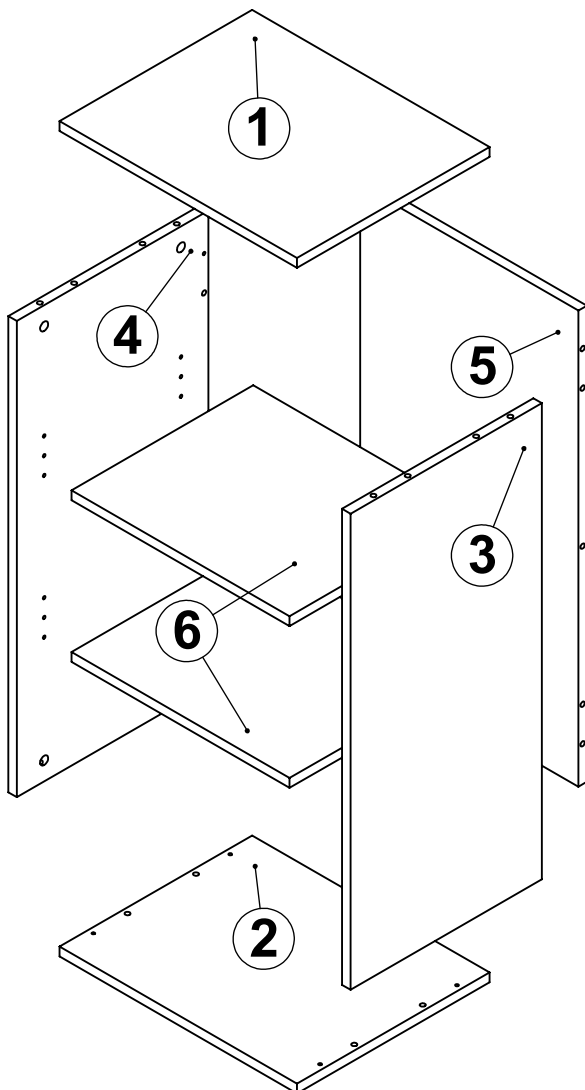
001 / 11/07/2023

## BOOKCASE SMALL HHS


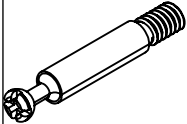
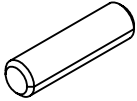
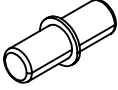
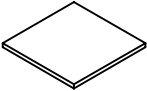

### ART CODE: 455 23 201

# bopita®

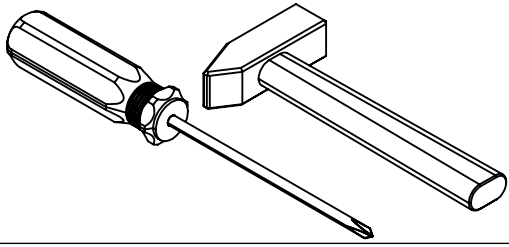
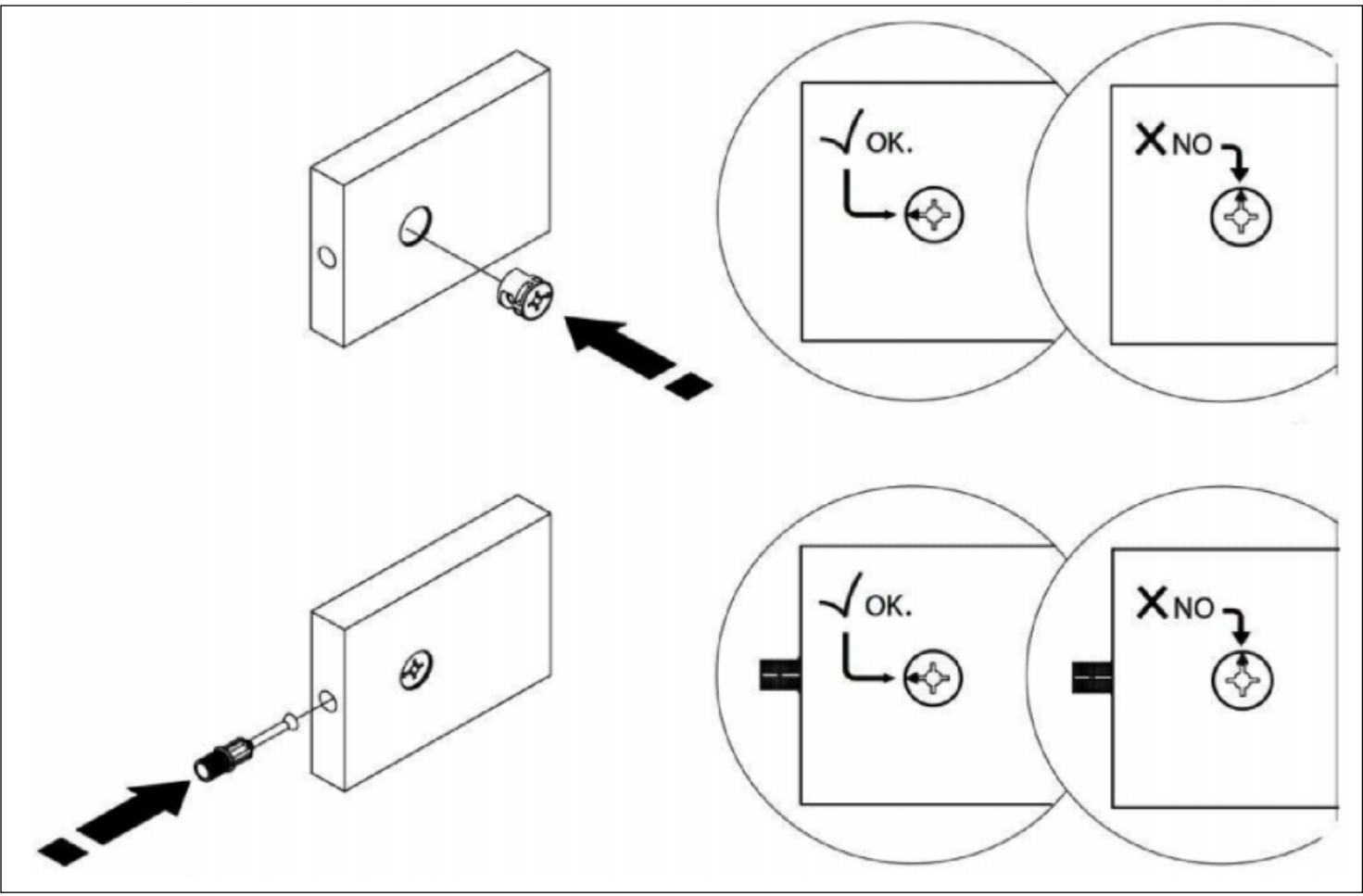
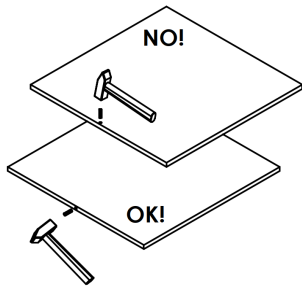
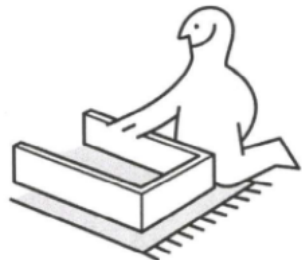
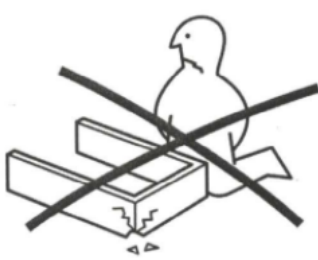
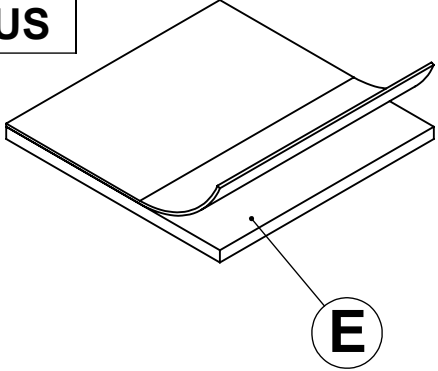
"BOPITA"  
LION INTERNATIONAL B.V.  
ENERGIEWEG 1  
6662 NS ELST GLD  
NEDERLAND  
[www.bopita.com](http://www.bopita.com)



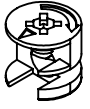


		 8x30			
<b>A x 14</b>	<b>B x 14</b>	<b>C x 12</b>	<b>D x 8</b>	<b>E x 4</b>	<b>IMBUS</b>

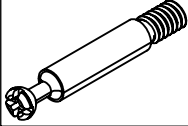
**BEFORE ASSEMBLY**



# STEP - 1

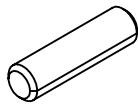


Ax14

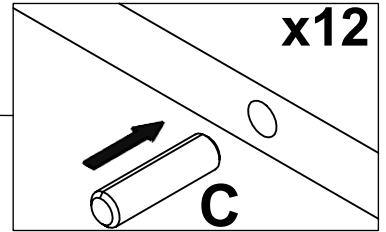
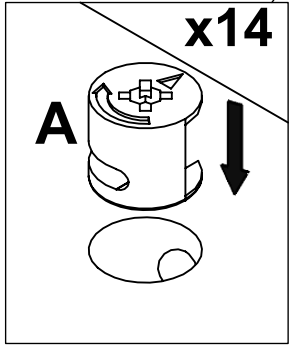
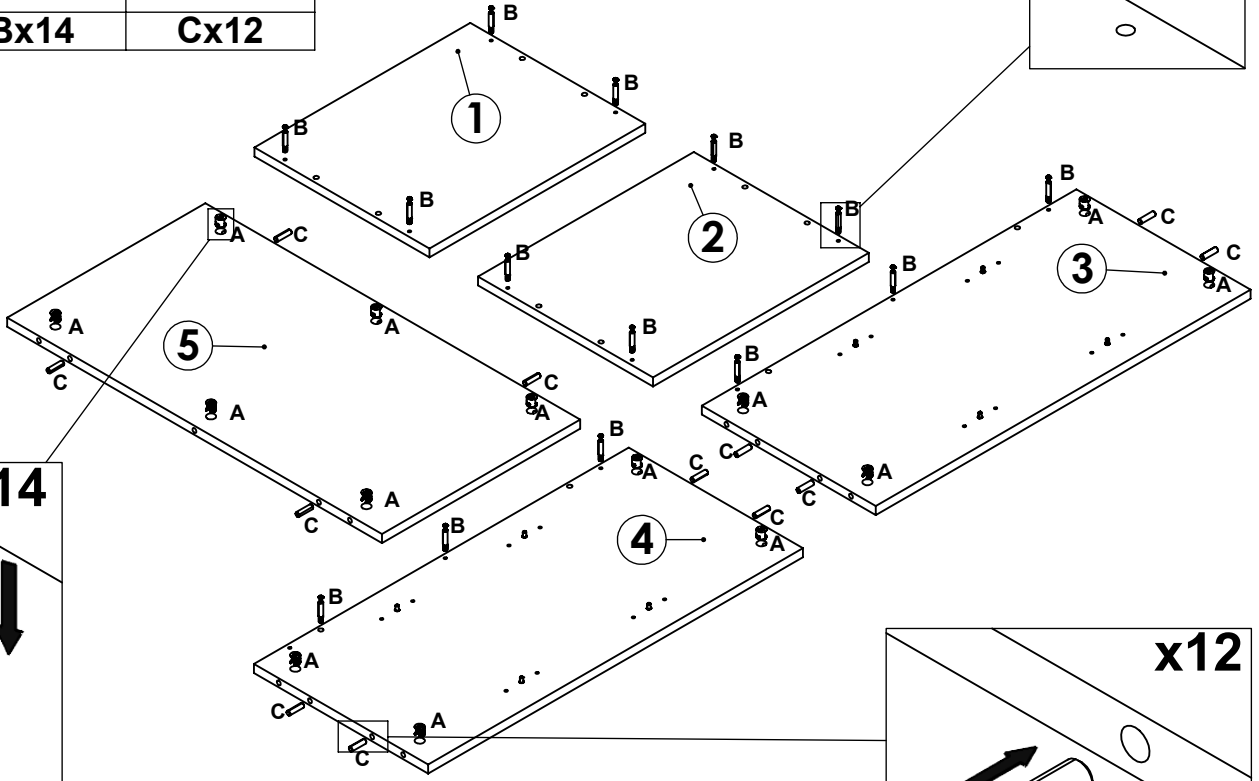
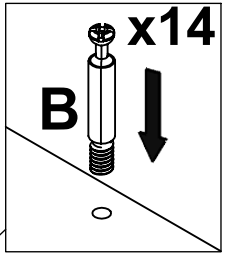
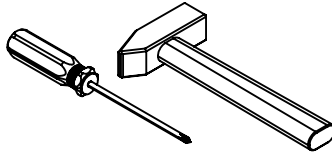


Bx14

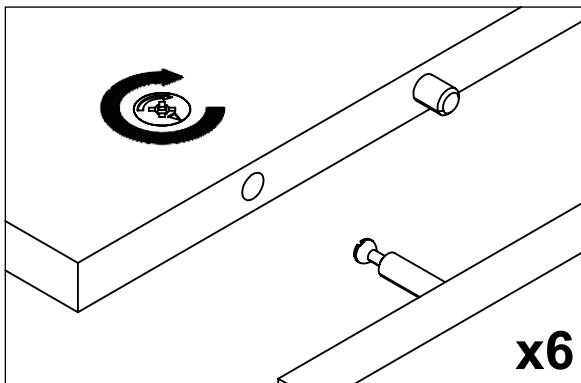
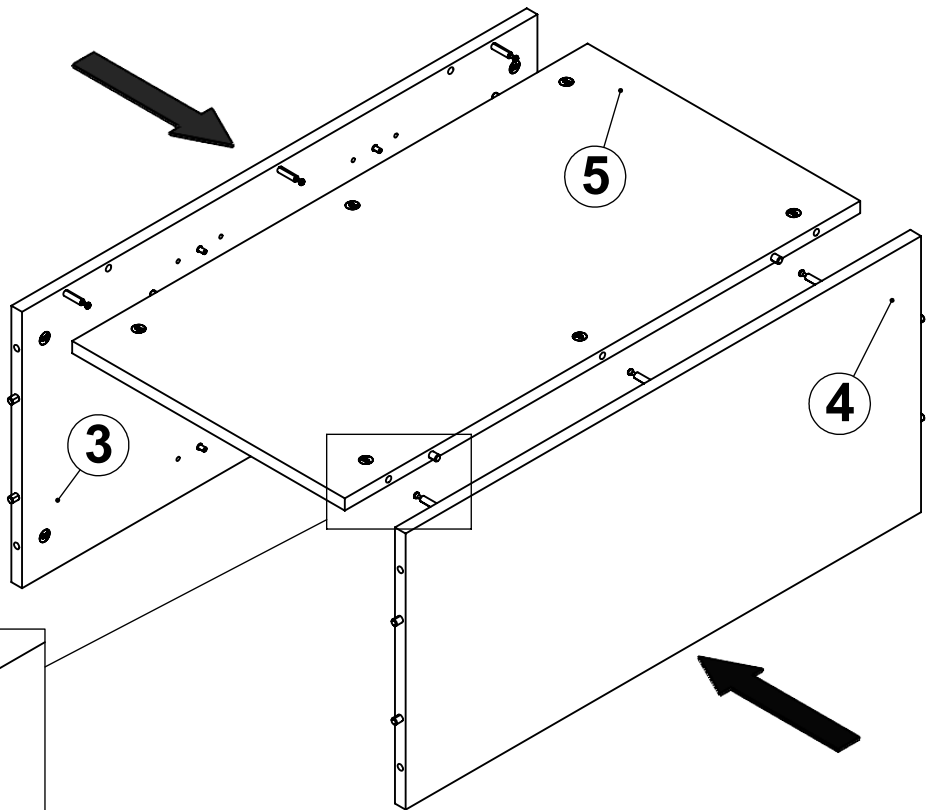
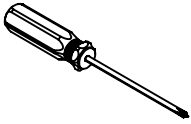
8x30



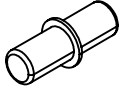
Cx12



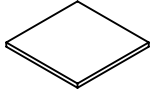
# STEP - 2



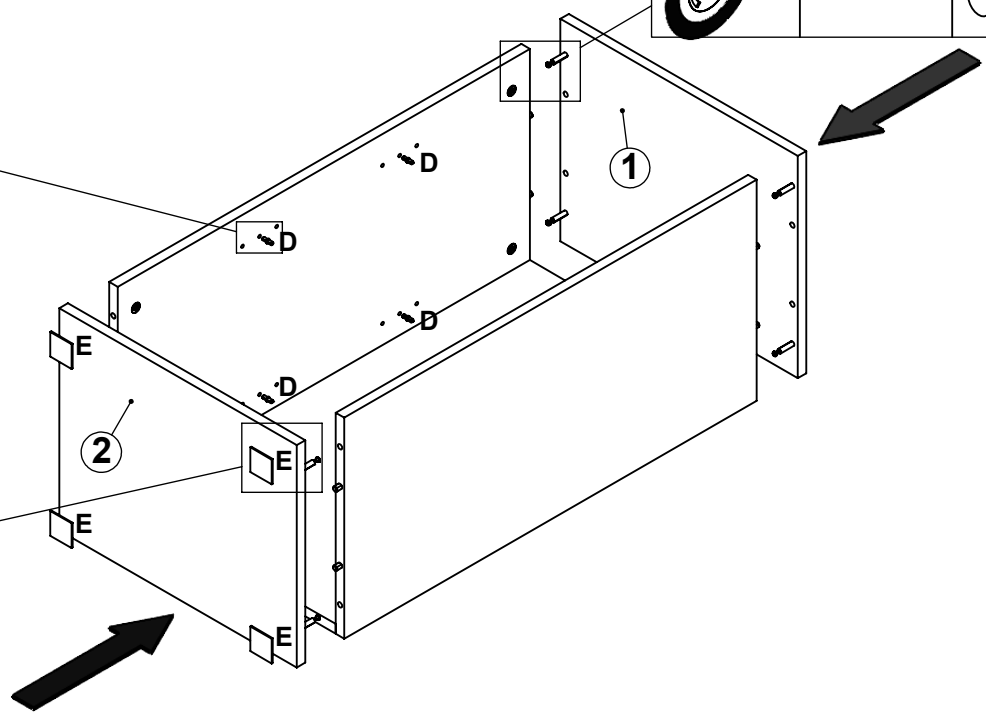
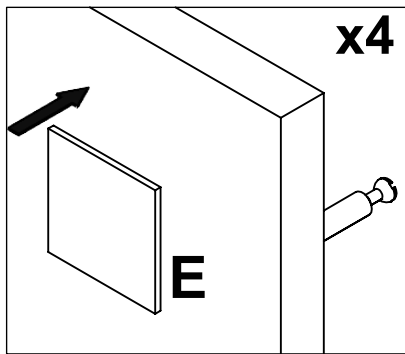
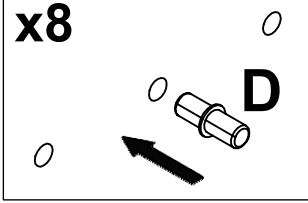
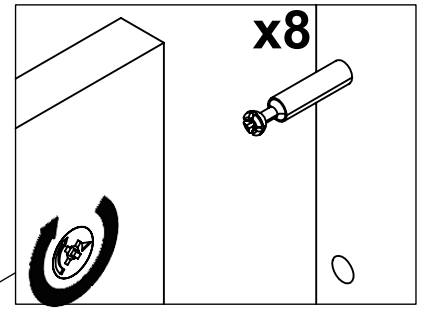
### STEP - 3



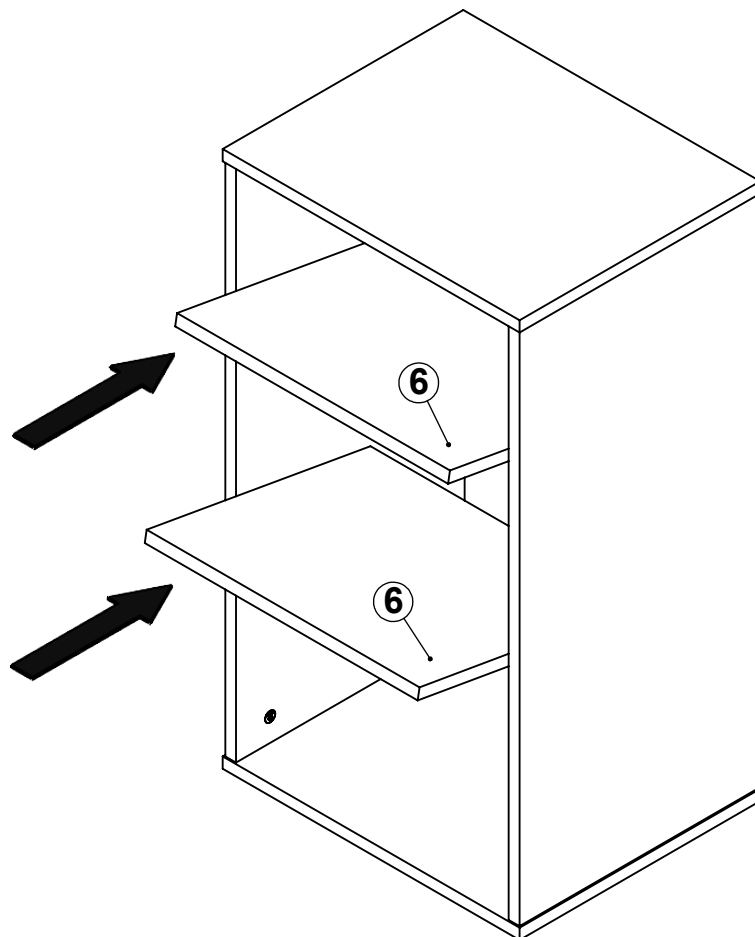
Dx8



Ex4



### STEP - 4



**QC-CODE**

(UK) for service requests

(NL) voor service vragen

(FR) pour les demandes de service

(DE) für Service Anfragen

(ES) para consultas de servicio

(IT) per richieste di assistenza

